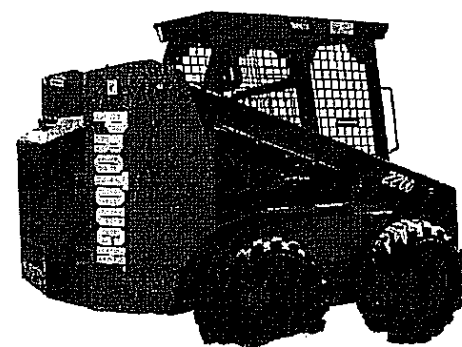
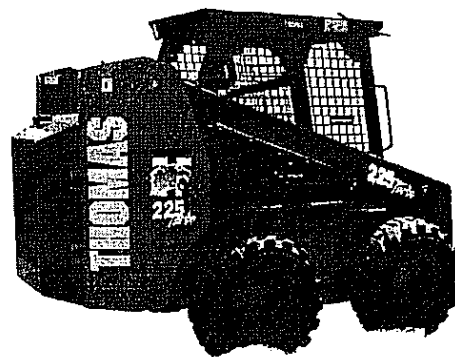




T-225

Pro Tough 2200

Parts Manual



THOMAS EQUIPMENT LIABILITY WARRANTY

THE WARRANTY IS THE ONLY OBLIGATION OF THOMAS OR A THOMAS DEALER TO THE PURCHASER OR ANYONE ELSE CONCERNING A PRODUCT, ITS SERVICE, ITS USE OR PERFORMANCE OR ITS LOSS OF USE OR FAILURE TO PERFORM. NEITHER THOMAS NOR A THOMAS DEALER HAVE MADE AND NEITHER WILL MAKE ANY OTHER EXPRESSED OR IMPLIED REPRESENTATION, WARRANTY OR AGREEMENT CONCERNING A PRODUCT. NEITHER THOMAS NOR A THOMAS DEALER HAVE MADE OR WILL MAKE ANY REPRESENTATION, WARRANTY OR AGREEMENT CONCERNING A PRODUCTS MERCHANTABILITY OR OTHER QUALITY, ITS SUITABILITY FOR PURCHASER'S PURPOSE (EVEN IF A PURCHASER HAS INFORMED THOMAS OR A THOMAS DEALER OF THAT PURPOSE), ITS DURABILITY, PERFORMANCE OR OTHER CONDITION.

EVEN IF THOMAS OR A THOMAS DEALER WAS ADVISED OF THE POSSIBILITY OF SUCH LOSS, NEITHER THOMAS NOR A THOMAS DEALER WILL BE LIABLE TO PURCHASER OR ANYONE ELSE FOR ANY INDIRECT, INCIDENTAL CONSEQUENTIAL, PUNITIVE, ECONOMIC, COMMERCIAL, OR SPECIAL LOSS WHICH IS IN ANY WAY ASSOCIATED WITH A PRODUCT. THIS INCLUDES ANY LOSS OF USE OR NON-PERFORMANCE OF A PRODUCT, ANY REPLACEMENT RENTAL OR ACQUISITION COSTS, ANY LOSS OF REVENUE OR PROFITS, ANY FAILURE TO REALIZE EXPECTED SAVINGS, ANY INTEREST COSTS, ANY IMPAIRMENT OF OTHER GOODS, ANY INCONVENIENCE OR ANY LIABILITY OF PURCHASER TO ANY OTHER PERSON.

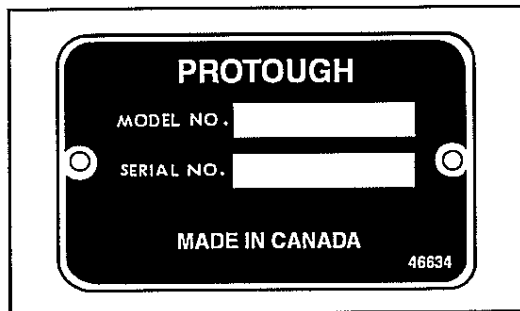
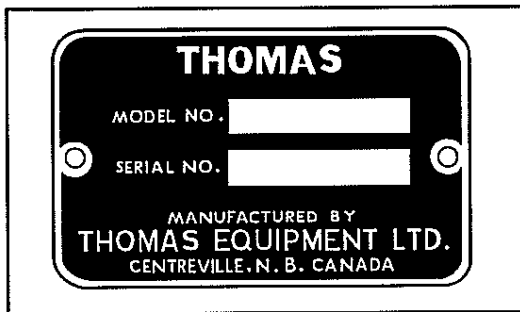
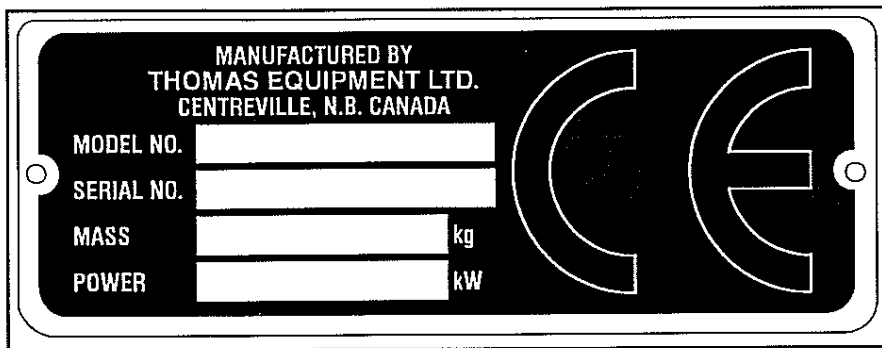
PURCHASER MAY NOT ATTEMPT TO ENLARGE ITS RIGHTS UNDER THE WARRANTY BY MAKING A CLAIM FOR INDEMNITY, FOR BREACH OF CONTRACT, FOR BREACH OF COLLATERAL WARRANTY, FOR A TORT (INCLUDING NEGLIGENCE, MISREPRESENTATION OR STRICT LIABILITY) OR BY CLAIMING ANY OTHER CAUSE OF ACTION.

THE WARRANTY IS A CONDITION OF SALE OF THE PRODUCT TO PURCHASER AND WILL THEREFORE APPLY EVEN IF PURCHASER ALLEGES THAT THERE IS A TOTAL FAILURE OF THE PRODUCT.

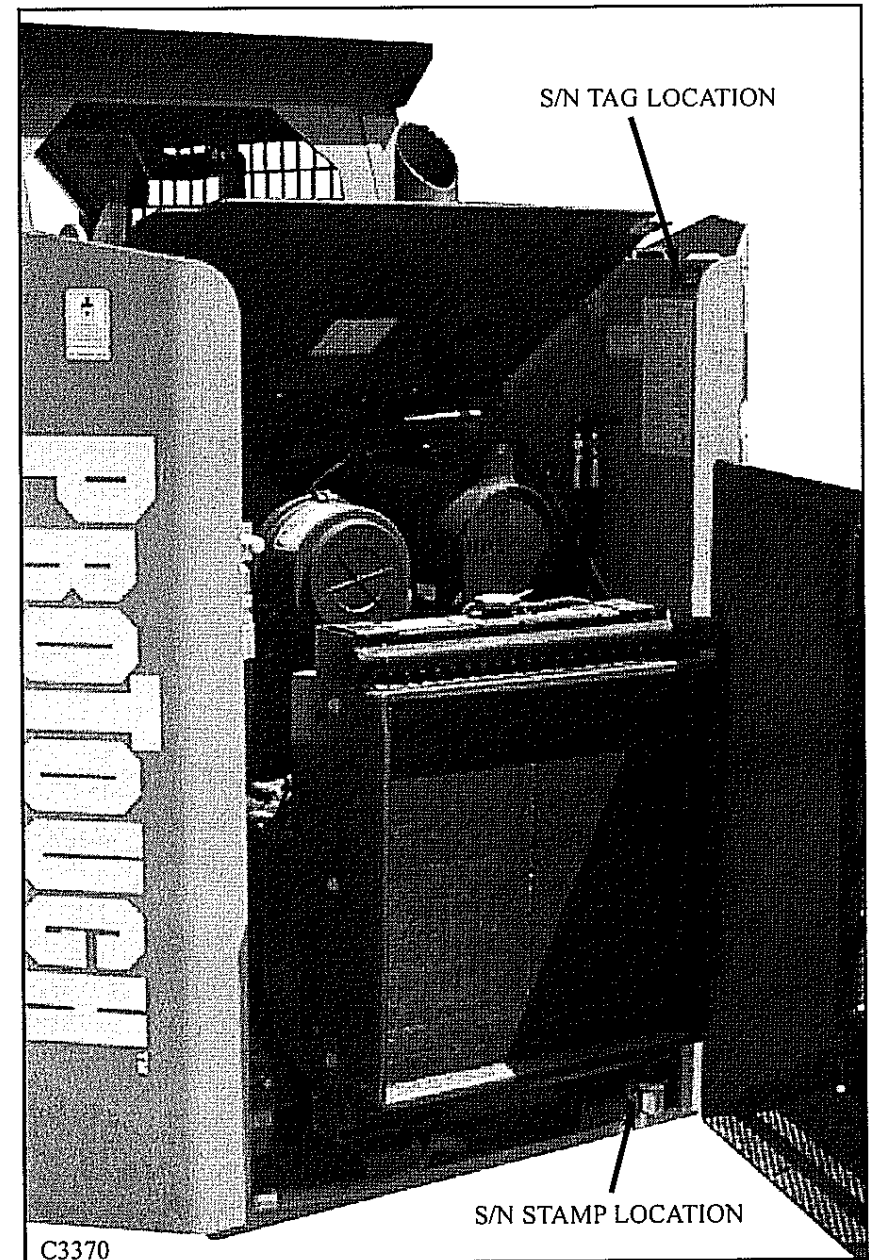
N.B. Read and practice your Thomas operating and servicing instructions. Failure to do this may void your warranty.

Publication Number 48574

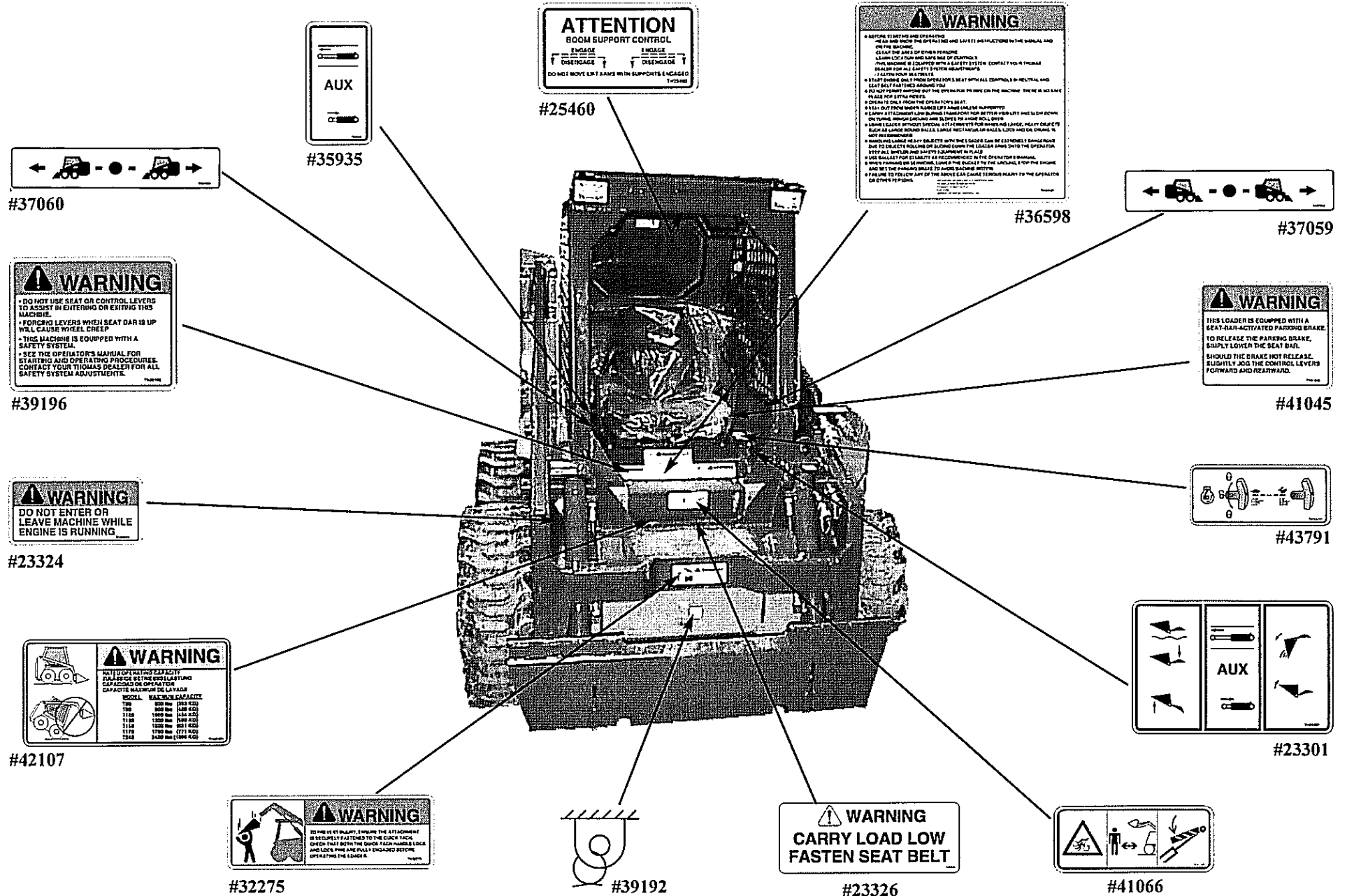
© Thomas Equipment Ltd. 2002
Printed in Canada



It is important when ordering replacement parts or making a service inquiry to provide both the model number and serial number of your Thomas loader. The serial number plate is located at the rear of the machine on the right hand side. In the event that the serial number plate is missing, the model number and serial number are both stamped into the main frame inside the rear door, right hand side, next to the fuel line shut off petcock (Fig. C3370).



225 DECAL CHART

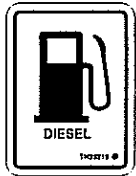


- #37060: Directional arrow decal showing forward and reverse travel.
- #35935: 'AUX' decal for auxiliary controls.
- #25460: 'ATTENTION BOOM SUPPORT CONTROL' decal with 'DISENGAGE' labels and a warning: 'DO NOT MOVE LIFT ARMS WITH SUPPORTS ENGAGED TOGETHER'.
- #36598: Large 'WARNING' decal with detailed safety instructions for operation, including seat belt use, boom handling, and load limits.
- #37059: Directional arrow decal showing forward and reverse travel.
- #39196: 'WARNING' decal: 'DO NOT USE SEAT OR CONTROL LEVERS TO ASSIST IN ENTERING OR EXITING THIS MACHINE. FORCEING LEVERS WHEN SEAT DAB IS UP WILL CAUSE WHEEL SLIP. THIS MACHINE IS EQUIPPED WITH A SAFETY SYSTEM. SEE THE OPERATOR'S MANUAL FOR STARTING AND OPERATING PROCEDURES. CONTACT YOUR THOMAS DEALER FOR ALL SAFETY SYSTEM ADJUSTMENTS.'
- #41045: 'WARNING' decal: 'THIS LOADER IS EQUIPPED WITH A SEAT DAB-ACTIVATED PARKING BRAKE. TO RELEASE THE PARKING BRAKE, SUFFPLY LOWER THE SEAT DAB. SHOULD THE BRAKE NOT RELEASE, SLIGHTLY ADD THE CONTROL LEVERS FORWARD AND REARWARD.'
- #23324: 'WARNING' decal: 'DO NOT ENTER OR LEAVE MACHINE WHILE ENGINE IS RUNNING.'
- #43791: Decal showing the seat DAB (DAB-Activated Parking Brake) control lever.
- #42107: 'WARNING' decal with a table of operating capacity. The table lists model numbers and their corresponding capacities in different units.
- #32275: 'WARNING' decal: 'BEFORE DETACHING, ENSURE THE ATTACHMENT IS SECURELY FASTENED TO THE CARRY TACK. OPEN PINS BOTH THE DANGER TAG-HANDLE LOCK AND LOCK PIN ARE FULLY ENGAGED BEFORE OPERATING THE LOADER.'
- #39192: Decal showing the carry tacks on the loader's frame.
- #23326: 'WARNING' decal: 'CARRY LOAD LOW FASTEN SEAT BELT'.
- #41066: 'WARNING' decal showing a person sitting in the seat with a seat belt, and a diagram of the seat belt adjustment.
- #23301: 'AUX' decal with diagrams of auxiliary control levers.

225 DECAL CHART

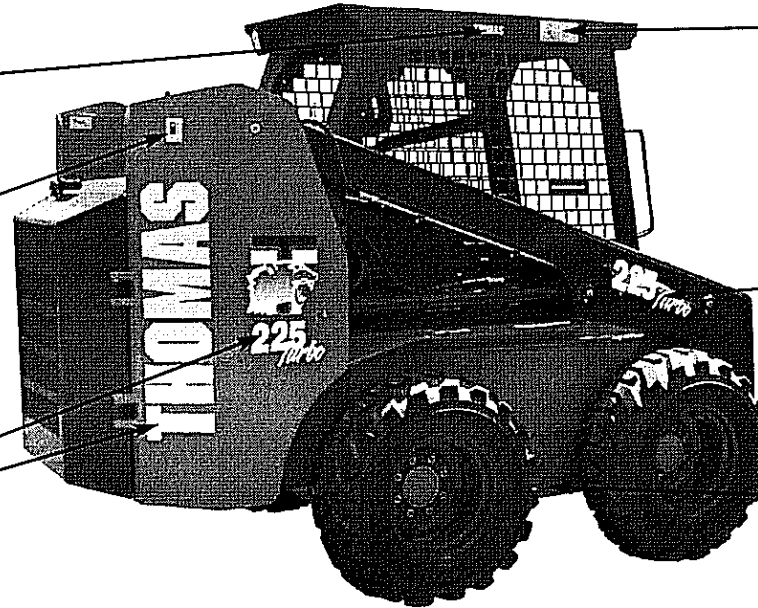
THOMAS

#44615



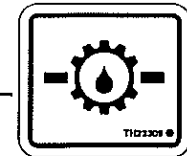
#23310

#48088



#41065

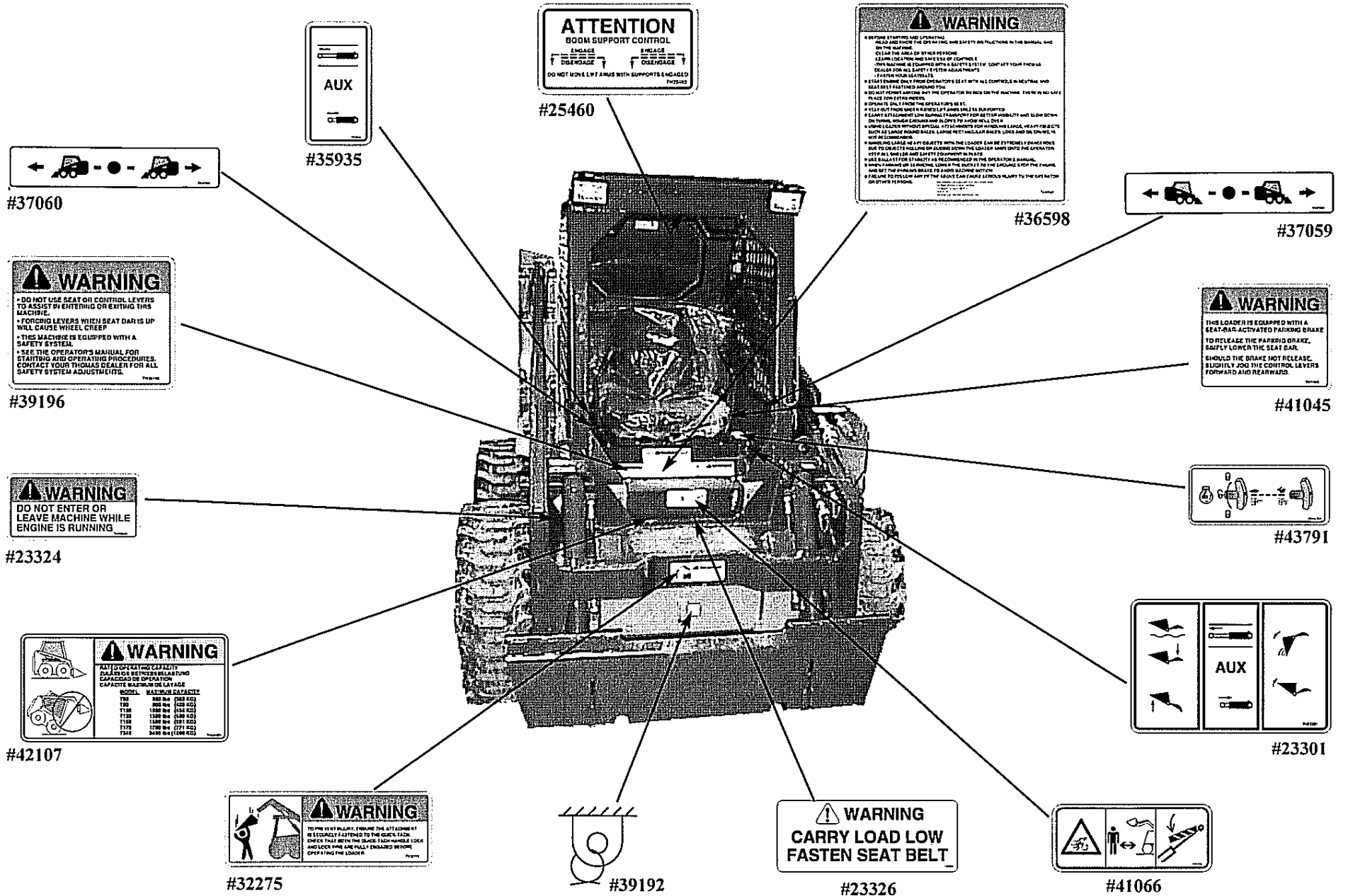
#48088



#23309

PART	QTY	DESCRIPTION	PAINT	QTY	DESCRIPTION
48088	1	Decal, Kit 225	40970	-	Orange paint, aerosol
			41123	-	Grey paint, aerosol
47789	1	Common Decal Kit	41778	1	Orange paint, pre - mixed, per litre
46232	1	Tag, ROPS / FOPS Approval	41738	1	Grey paint, pre - mixed, per litre

PROTOUGH 2200 DECAL CHART



#37060

#35935

#25460

#36598

#37059

#39196

#41045

#23324

#43791

#42107

#23301

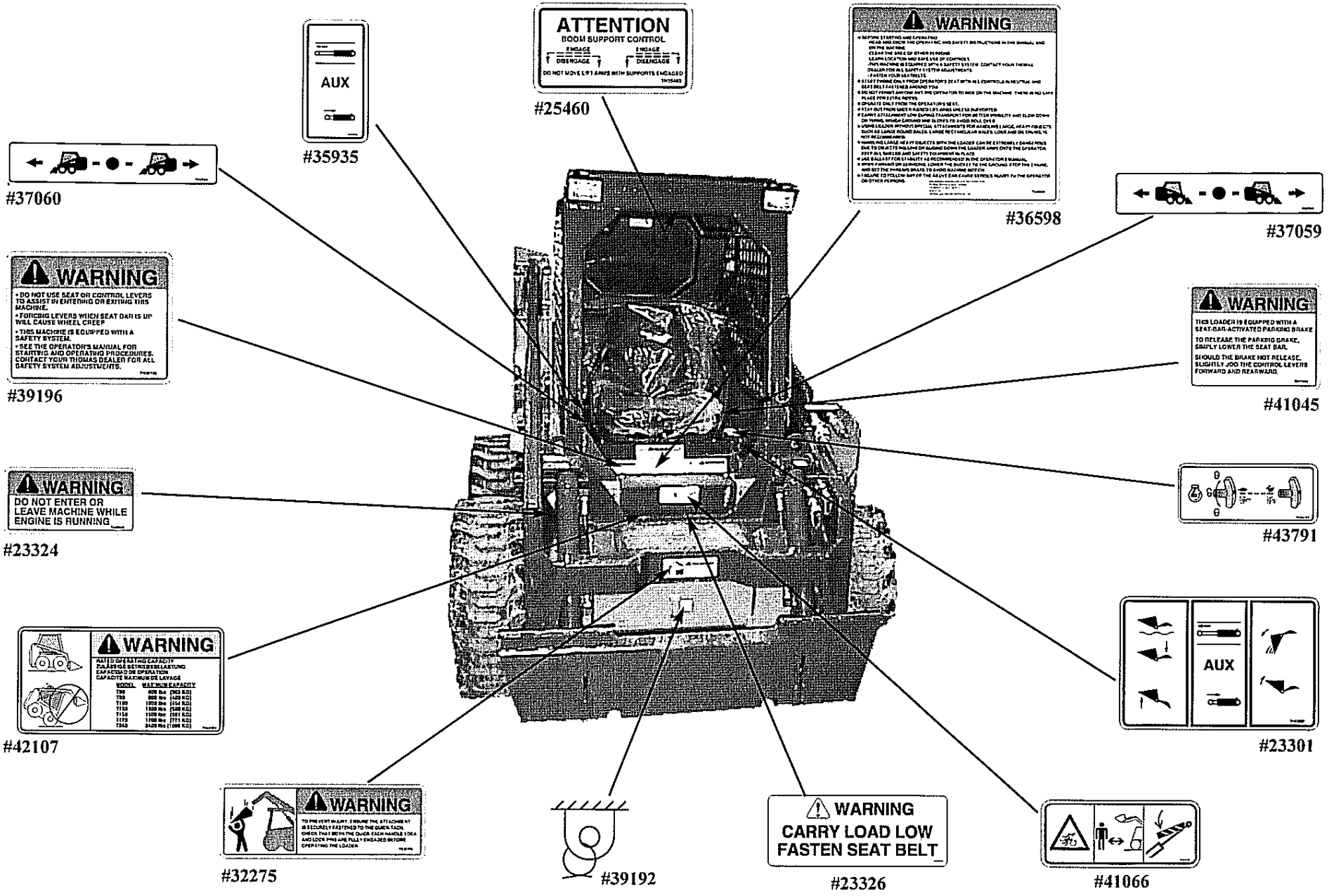
#32275

#39192

#23326

#41066

PROTOUGH 2200 DECAL CHART



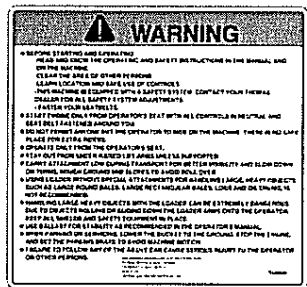
#37060



#35935



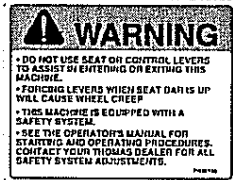
#25460



#36598



#37059



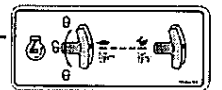
#39196



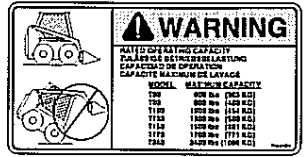
#41045



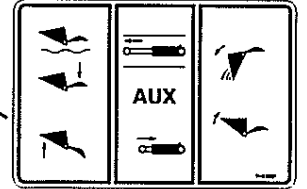
#23324



#43791



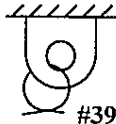
#42107



#23301



#32275



#39192

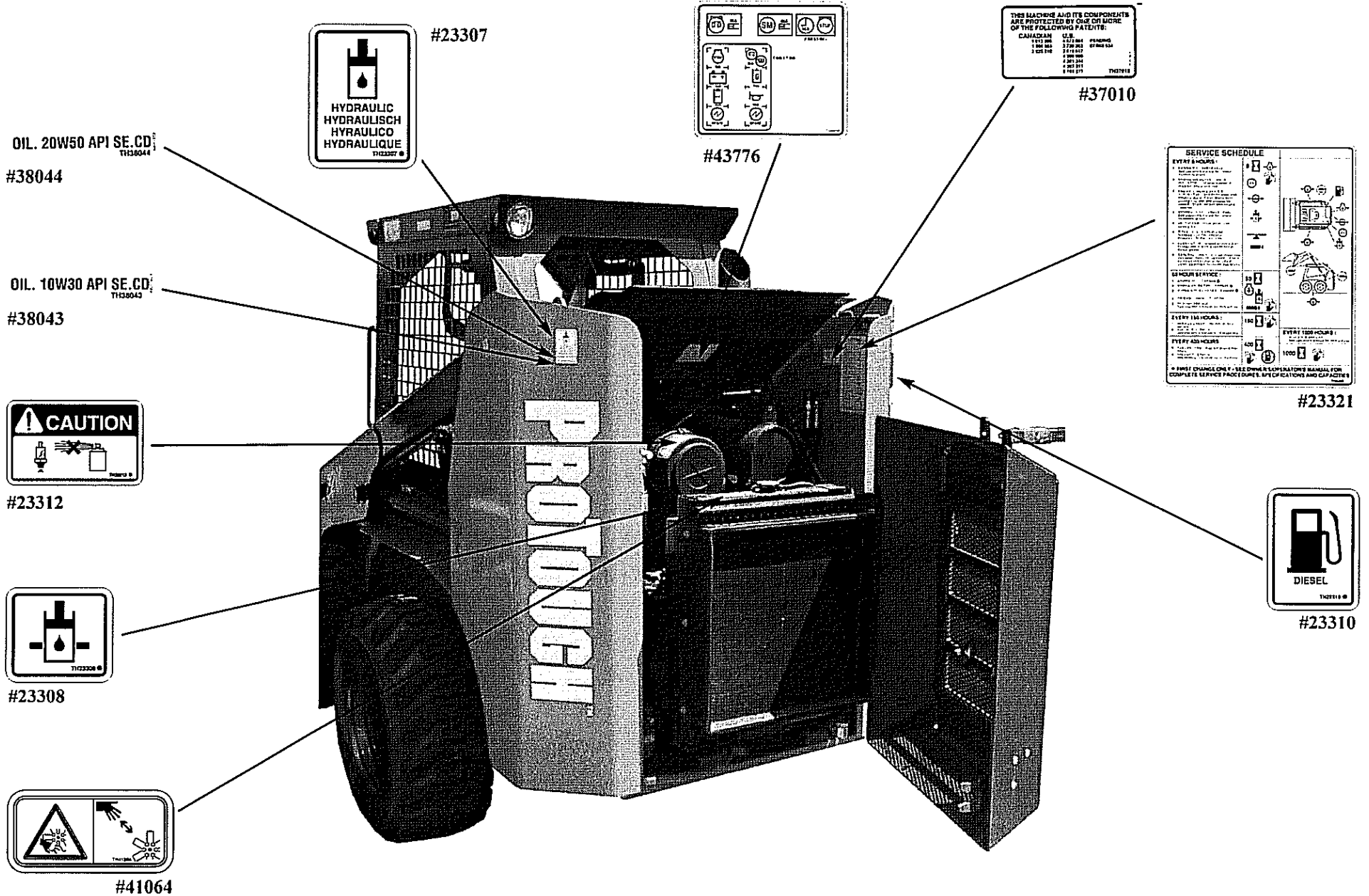


#23326



#41066

PROTOUGH 2200 DECAL CHART



OIL. 20W50 API SE.CD
T1138044
#38044

#23307

HYDRAULIC
HYDRAULISCH
HYDRAULICO
HYDRAULIQUE

OIL. 10W30 API SE.CD
T1138043
#38043

#23312

CAUTION

#23308

#41064

#43776

#37010

THIS MACHINE AND ITS COMPONENTS ARE PROTECTED BY ONE OR MORE OF THE FOLLOWING PATENTS:

CANADIAN	U.S.	PENDING
1,767,000	4,122,864	
1,888,363	3,770,263	
2,028,516	3,618,837	
	3,888,986	
	4,281,344	
	4,282,551	
	4,282,571	

#23321

SERVICE SCHEDULE

EVERY 8 HOURS:

- Check engine oil level.
- Check hydraulic oil level.
- Check tire pressure.
- Check for leaks.
- Check for loose parts.
- Check for damage.
- Check for obstructions.
- Check for proper operation.

EVERY 24 HOURS:

- Check engine oil level.
- Check hydraulic oil level.
- Check tire pressure.
- Check for leaks.
- Check for loose parts.
- Check for damage.
- Check for obstructions.
- Check for proper operation.

EVERY 100 HOURS:

- Check engine oil level.
- Check hydraulic oil level.
- Check tire pressure.
- Check for leaks.
- Check for loose parts.
- Check for damage.
- Check for obstructions.
- Check for proper operation.

EVERY 500 HOURS:

- Check engine oil level.
- Check hydraulic oil level.
- Check tire pressure.
- Check for leaks.
- Check for loose parts.
- Check for damage.
- Check for obstructions.
- Check for proper operation.

EVERY 1000 HOURS:

- Check engine oil level.
- Check hydraulic oil level.
- Check tire pressure.
- Check for leaks.
- Check for loose parts.
- Check for damage.
- Check for obstructions.
- Check for proper operation.

* FIRST CHANGE OIL F. USE OWNER'S OPERATOR'S MANUAL FOR COMPLETE SERVICE PROCEDURES, SPECIFICATIONS AND CAPACITIES.

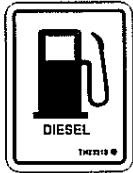
#23310

DIESEL

PROTOUGH 2200 DECAL CHART

THOMAS

#44615



#23310

ProTough

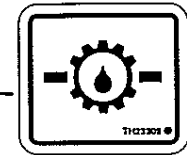
#46375



#41065

2200

#46377



#23309

PART	QTY	DESCRIPTION	PAINT	QTY	DESCRIPTION
46377	2	Decal, 2200 Designation	40970	-	Orange paint, aerosol
			41123	-	Grey paint, aerosol
46375	2	Decal, ProTough	41778	1	Orange paint, pre - mixed, per litre
			41738	1	Grey paint, pre - mixed, per litre
47789	1	Common Decal Kit			
46232	1	Tag, ROPS / FOPS Approval			

INDEX

1. MAINFRAME

Fuel System	1.1
Rear Door.....	1.2
Universal Quick-Tach.....	1.3
Lift Arms and Pivot Pins	1.4
ROPS Assembly.....	1.5
Boom Supports	1.6
Shields.....	1.7
Seat and Seat Belt.....	1.8
Wheels and Tires	1.9

2. CONTROLS

Control Levers	2.1
Foot Pedals.....	2.2
Throttle.....	2.3
Restraint Bar	2.4

3. FINAL DRIVE TRANSMISSION

Transmission Housing	3.1
Axle Assembly.....	3.2
Idler Sprocket and Drive Chains	3.3
Parking Brake	3.4

4. HYDRAULIC SYSTEM

Oil Reservoir.....	4.1
Hydraulic Oil Filter	4.2
Boom Lift Circuit	4.3
Fan / Radiator / Oil Cooler	4.4
Lift Cylinder	4.5
Bucket Tilt Circuit	4.6
Tilt Cylinder.....	4.7
Auxiliary Circuit.....	4.8
Control Valve.....	4.9

5. HYDROSTATIC DRIVE SYSTEM

Hydrostatic Drive Circuit	5.1
Hydrostatic Tandem Pump	5.2
Torque Motor	5.3

6. ELECTRICAL SYSTEM

Electrical Wiring, ROPS.....	6.1
Electrical Wiring, Engine	6.2

7. ENGINE EQUIPMENT

Air Cleaner.....	7.1
Exhaust System.....	7.2
Engine Accessories (225).....	7.3 (A)
Engine Accessories (ProTough 2200)	7.3 (B)
Engine	7.4

8. OPTIONAL EQUIPMENT

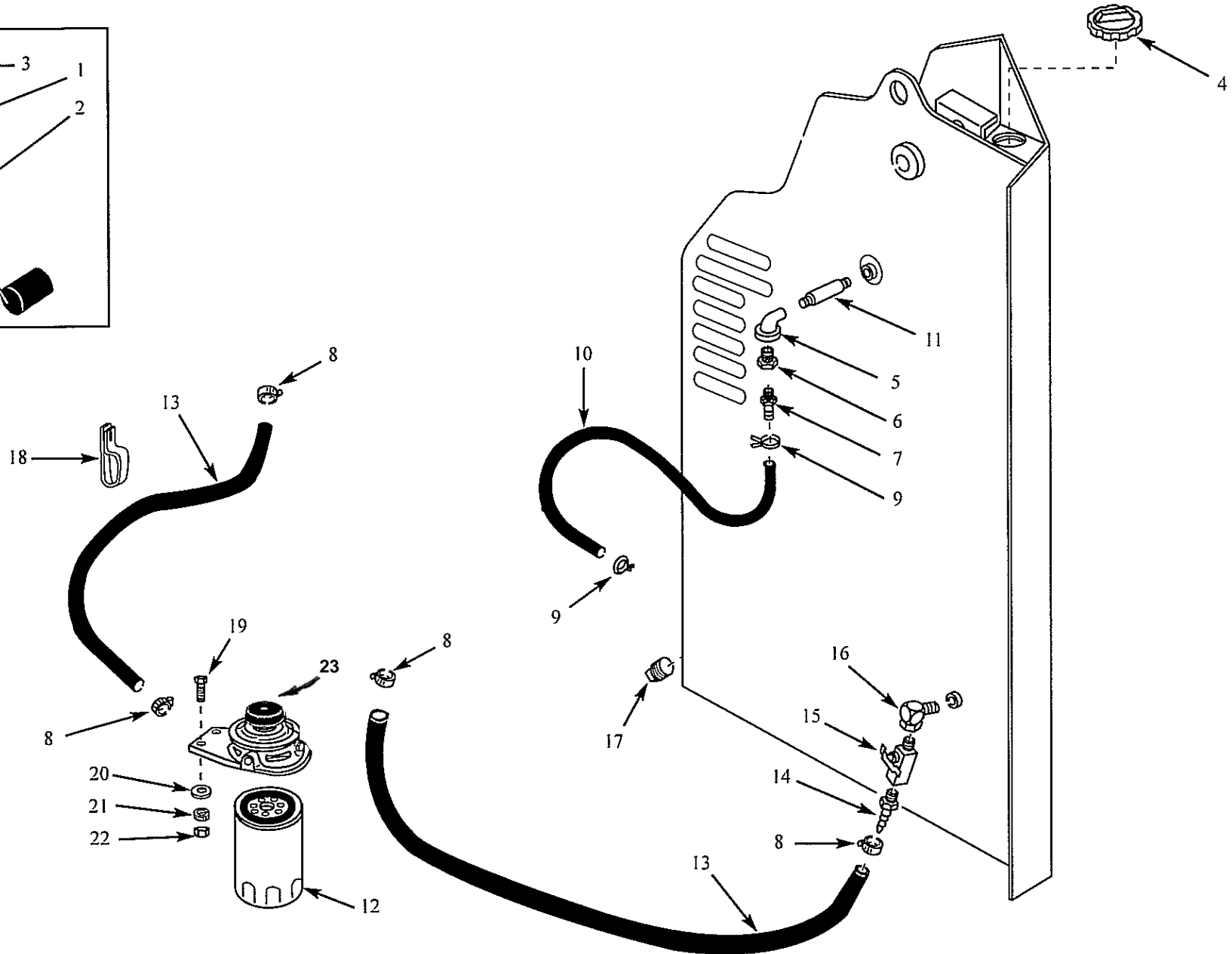
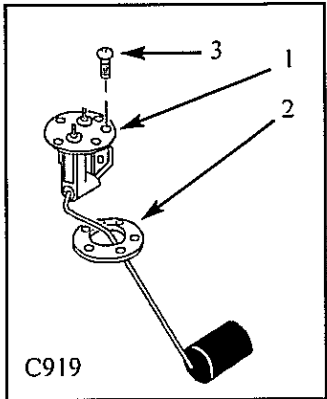
Cab Heater	8.1
Cab Door.....	8.2
Side Windows - Painted.....	8.3
Block Heater	8.4
Horn	8.5
Backup Alarm	8.6
Seat Belt (3")	8.7
Auto Engine Shutdown.....	8.8
Axle Seal Protector.....	8.9
Self Level Valve.....	8.10
Top Window	8.11
Rear Window	8.12
Boosting Lug.....	8.13
Optional Wheel Equipment	8.14
Hydraulic Oil Heater.....	8.15
Interior Light & Exterior Trouble.....	8.16
Quick Connect	8.17

1. MAINFRAME

Fuel System	1.1
Rear Door	1.2
Universal Quick-Tach	1.3
Lift Arms and Pivot Pins.....	1.4
ROPS Assembly	1.5
Boom Supports.....	1.6
Shields	1.7
Seat and Seat Belt	1.8
Wheels and Tires.....	1.9

FUEL SYSTEM

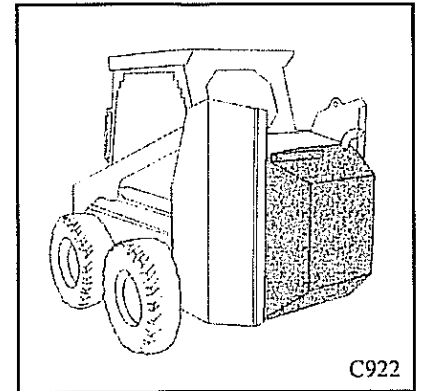
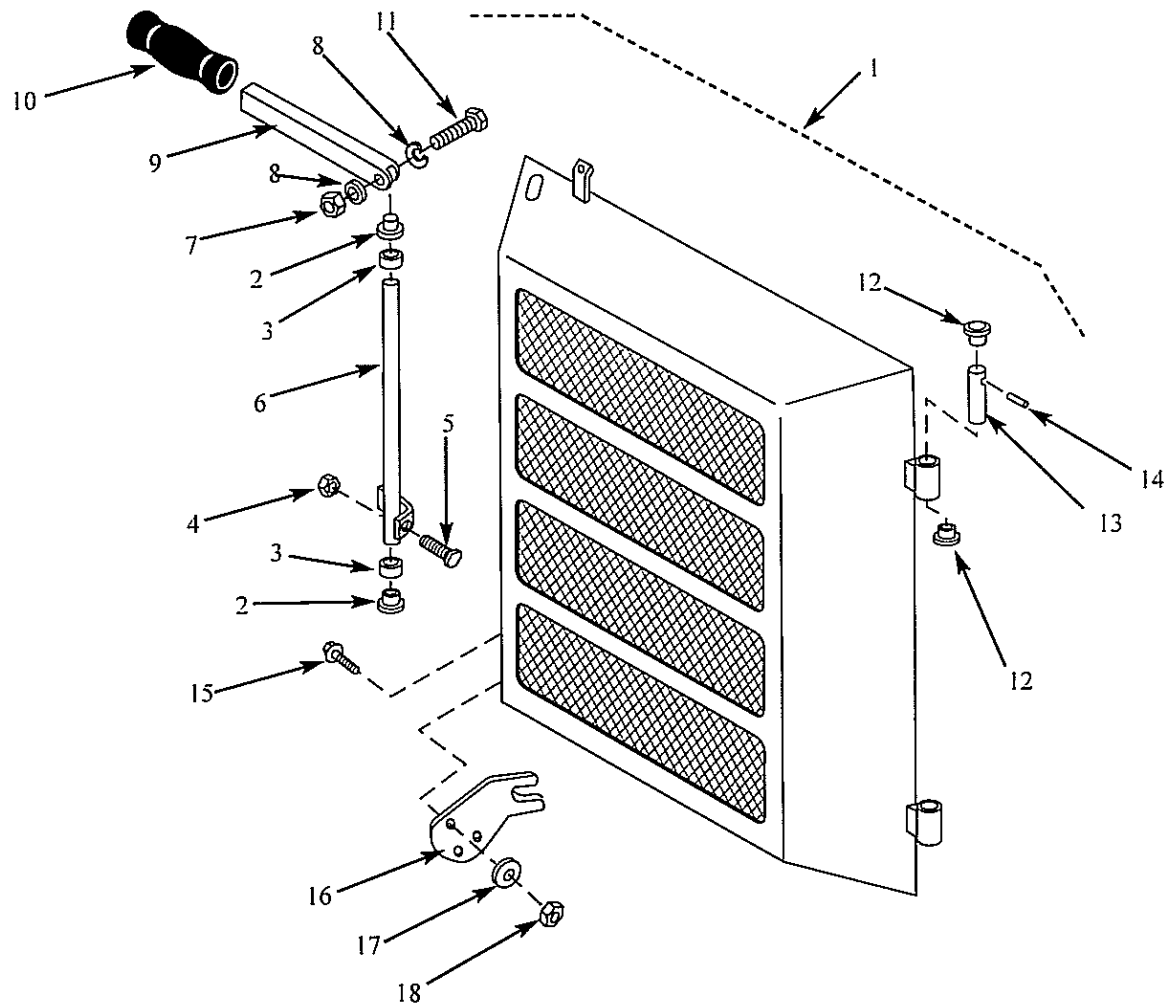
1.1



ITEM	PART	QTY	DESCRIPTION
1.	41627	1	Sender, Fuel Level
2.	24264	1	Gasket, for Fuel Sender
3.	23194	5	Screw, Machine
4.	40921	1	Cap, Fuel Diesel Green Cover
*	40922	1	Locking Fuel Cap (Option)
5.	42573	1	Elbow, 90°
6.	42572	1	Reducer Bushing
7.	18318	1	Hose End
8.	19949	4	Clamp, Fuel Line
9.	26737	2	Clamp, Wire Hose, 3/16
10.	407	A / R	Hose, Fuel 3 3/16
11.	42571	1	Nipple
12.	42561	1	Fuel Filter Element
13.	261	A / R	Hose, Fuel 5 5/16
14.	23861	1	Hose End
15.	14797	1	Shut Off Petcock
16.	42574	1	Elbow, 90°
17.	17144	1	Drain Plug
18.	41024	1	Clip, Cable Double 5/8 x 1 1/32
19.	1387	2	Bolt, Hex 3/8 x 1 1/4
20.	1643	2	Washer, Flat 3/8
21.	1642	2	Washer, Lock 3/8
22.	1194	2	Nut, Hex 3/8
23.	047268	1	Fuel, Head Assembly

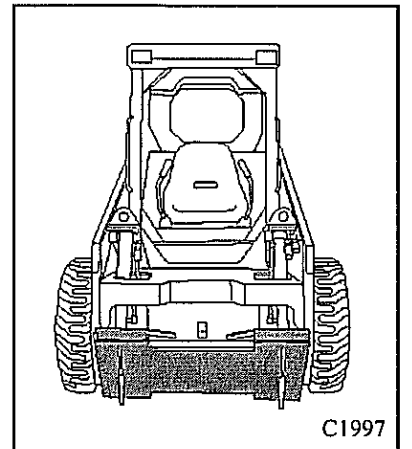
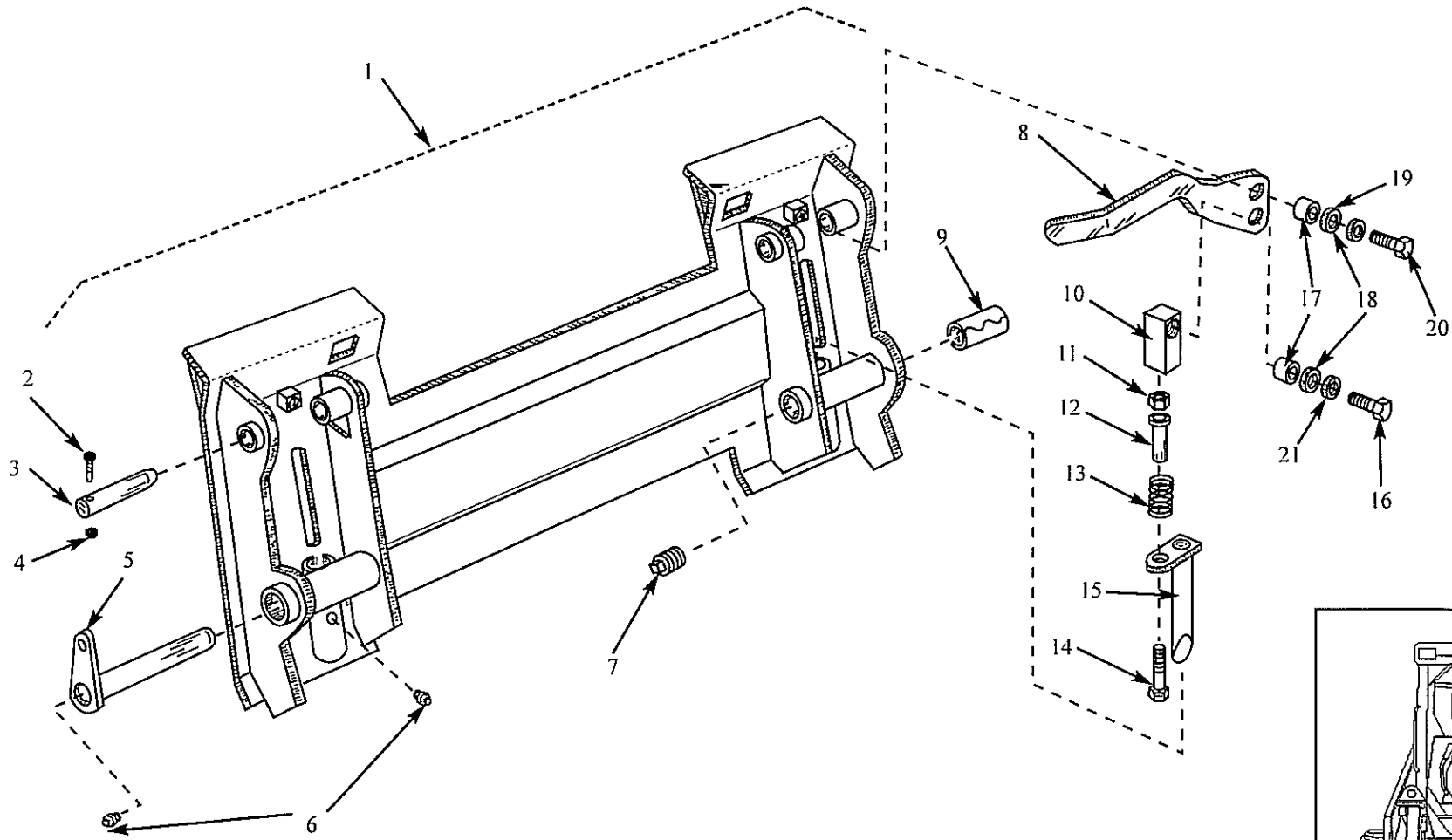
REAR DOOR

1.2



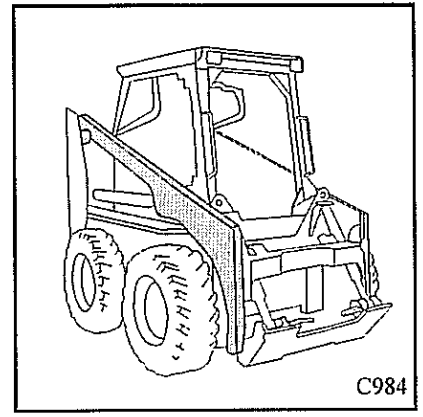
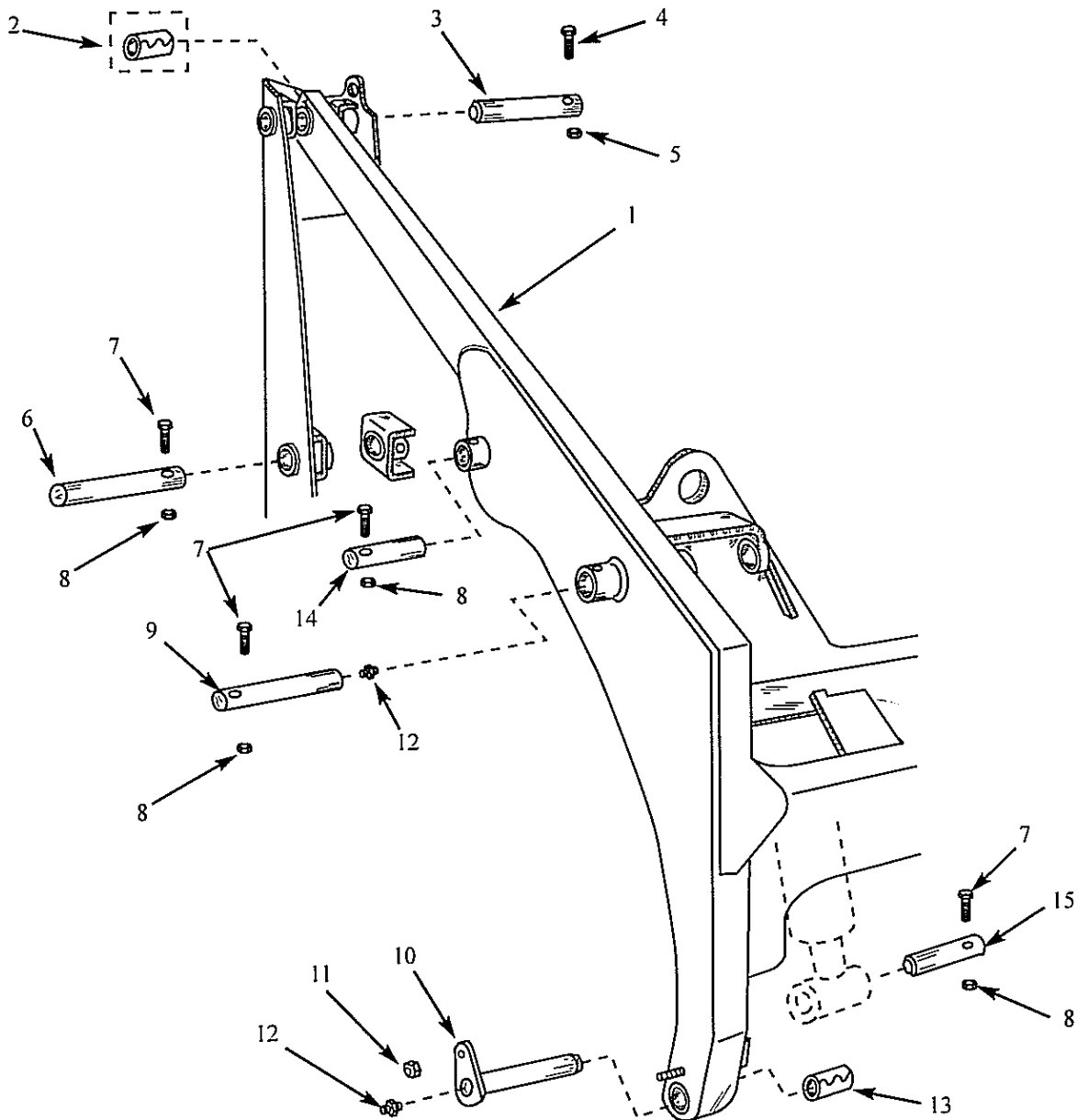
ITEM	PART	QTY	DESCRIPTION
*	963317	1	Rear Door Complete
1.	963465	1	Rear Door Welded Assembly
2.	16989	2	Bearing
3.	47952	2	Collar, Set
4.	20860	1	Nut, Hex
5.	2823	1	Bolt, Carriage
6.	961614	1	Lock, Rear Door Assembly
7.	16771	1	Nut, Nylok, Hex 5/16
8.	1651	2	Washer, Flat 5/16
9.	35426	1	Handle, Door
10.	3189	1	Grip, Lever
11.	1678	1	Bolt, Hex 5/16 x 1 1/2
12.	31488	4	Bearing
13.	46227	2	Pin
14.	31489	2	Pin, Split Spring
15.	2835	3	Bolt, Carriage 3/8 x 1 1/2
16.	41956	1	Plate, Door Guide
17.	1643	3	Washer, Flat 3/8
18.	7465	3	Nut, Nylok 3/8

UNIVERSAL QUICK-TACH



ITEM	PART	QTY	DESCRIPTION
1.	961696	1	Quick-Tach, Universal Assembly
2.	7458	2	Bolt, Hex 5/16 x 2 3/4
3.	43636	2	Pin, Hardened
4.	16771	2	Nut, Nylok, Hex 5/16
5.	43634	2	Pin, Hardened Assy.
*	8613	2	Nut, Nylok 1/2
6.	2010	4	Fitting, Grease
7.	1458	2	Plug
8.	41290	1	Plate, Handle RH
*	41291	1	Plate, Handle LH
9.	41318	2	Bushing, Hardened
10.	40614	2	Bar, Square, Linkage Block
11.	20860	2	Nut, Hex 1/2
12.	42350	2	Bushing, Spring Stabilizer
13.	41391	2	Spring, Compression
14.	2011	2	Bolt, Hex 1/2 x 5
15.	961834	1	Pin, Lock Assy. RH
*	961833	1	Pin, Lock Assy. LH
16.	3321	2	Bolt, Hex 1/2 x 1 3/4
17.	22653	4	Bushing, Stabilizer Bar
18.	23385	4	Washer, Flat 1/2
19.	41392	2	Washer, Belleville Spring
20.	1680	2	Bolt, Hex 1/2 x 1 1/4
21.	20861	2	Washer, Lock 1/2

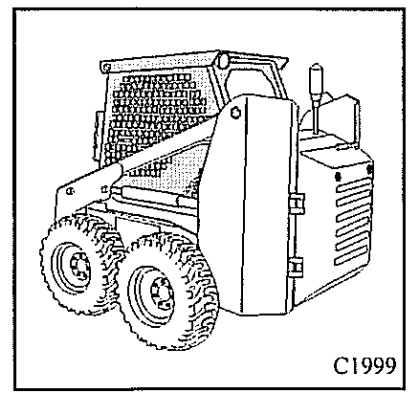
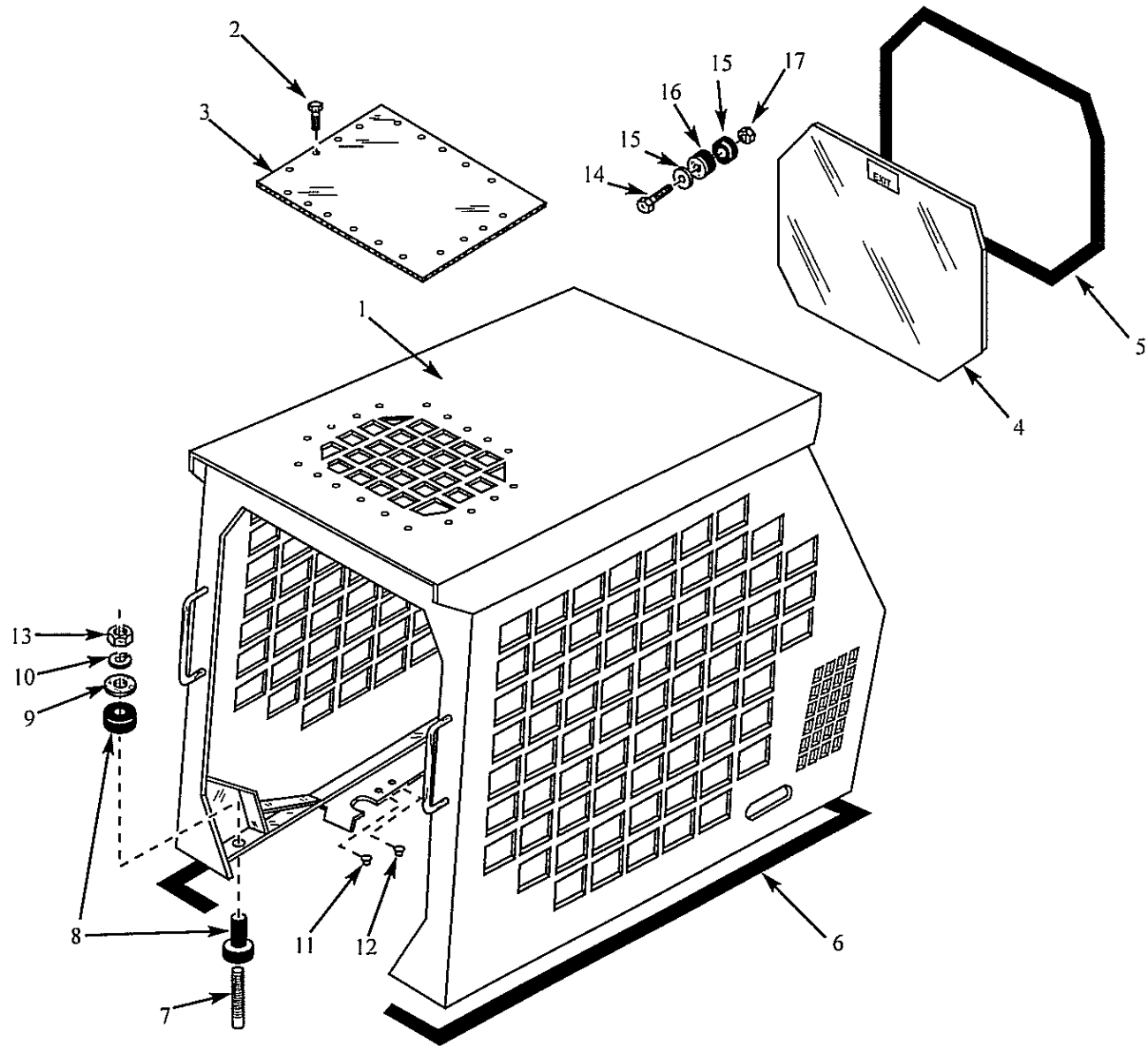
LIFT ARMS and PIVOT PINS **1.4**



ITEM	PART	QTY	DESCRIPTION
1.	963926	1	Lift Arm Welded Assembly
2.	43631	2	Bushing, Hardened
3.	43635	2	Pin, Hardened
4.	1671	2	Bolt, Hex 3/8 x 3
5.	7465	2	Nut, Nylok 3/8
6.	43637	2	Pin, Hardened
7.	7458	8	Bolt, Hex 5/16 x 2 3/4
8.	16771	8	Nut, Nylok, Hex 5/16
9.	43830	2	Pin, Hardened
10.	43634	2	Pin, Hardened Assy.
11.	8613	2	Nut, Nylok 1/2
12.	2010	4	Grease Fitting
13.	43633	2	Bushing, Hardened
14.	43829	2	Pin, Hardened
15.	43636	2	Pin, Hardened

ROPS ASSEMBLY

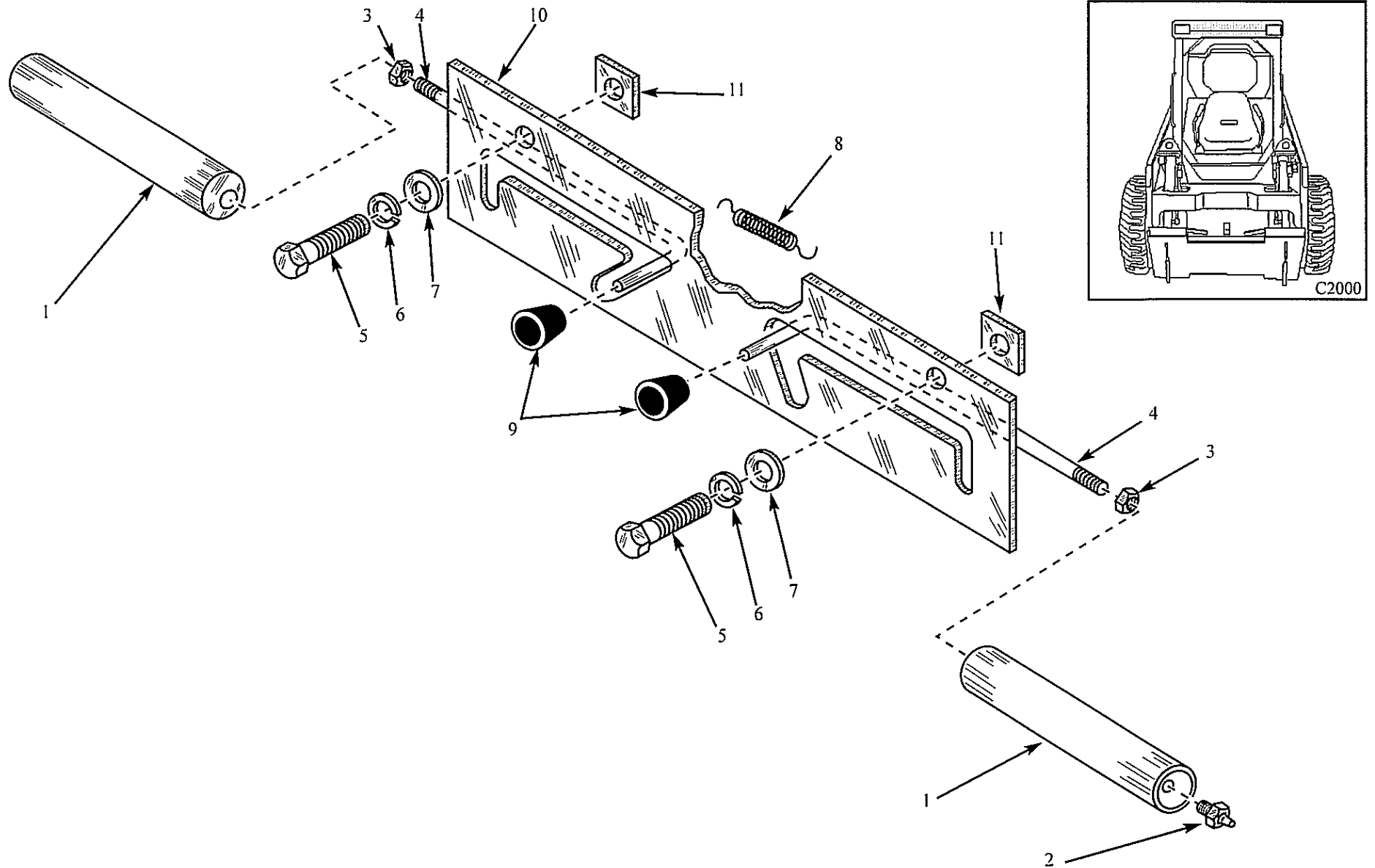
1.5



ITEM	PART	QTY	DESCRIPTION
1.	962754	1	ROPS Frame Welded Assy.
2.	31744	12	Screw, Hex Head, Tapping
3.	37808	1	Window, Top (Optional)
4.	39025	1	Window with Decal (Standard on 225, Optional on 2200)
5.	15750	8 ft.	Weatherstrip, Glass Setting
6.	15931	28 ft.	Weatherstrip, 5/16 x 3/4 Shur Stick
7.	17633	4	Bar, ROPS Mounting Stud
8.	38561	4	Isolator, Neoprene
9.	23452	4	Snubbing Washer - ROPS
10.	1647	4	Washer, Lock 5/8
11.	39537	2	Plug, Bottonhole 7/16" Black
12.	39126	1	Plug, Buttonhole 1/2" Black Plastic
13.	16608	4	Nut, Nylok 5/8
14.	2898	1	Bolt, Hex 1/2 x 3 3/4
15.	20235	3	Washer, Snubbing
16.	38560	1	Isolator, Neoprene
17.	8613	1	Nut, Nylok 1/2"
•	42065	1	Harness, ROPS Assembly

BOOM SUPPORTS

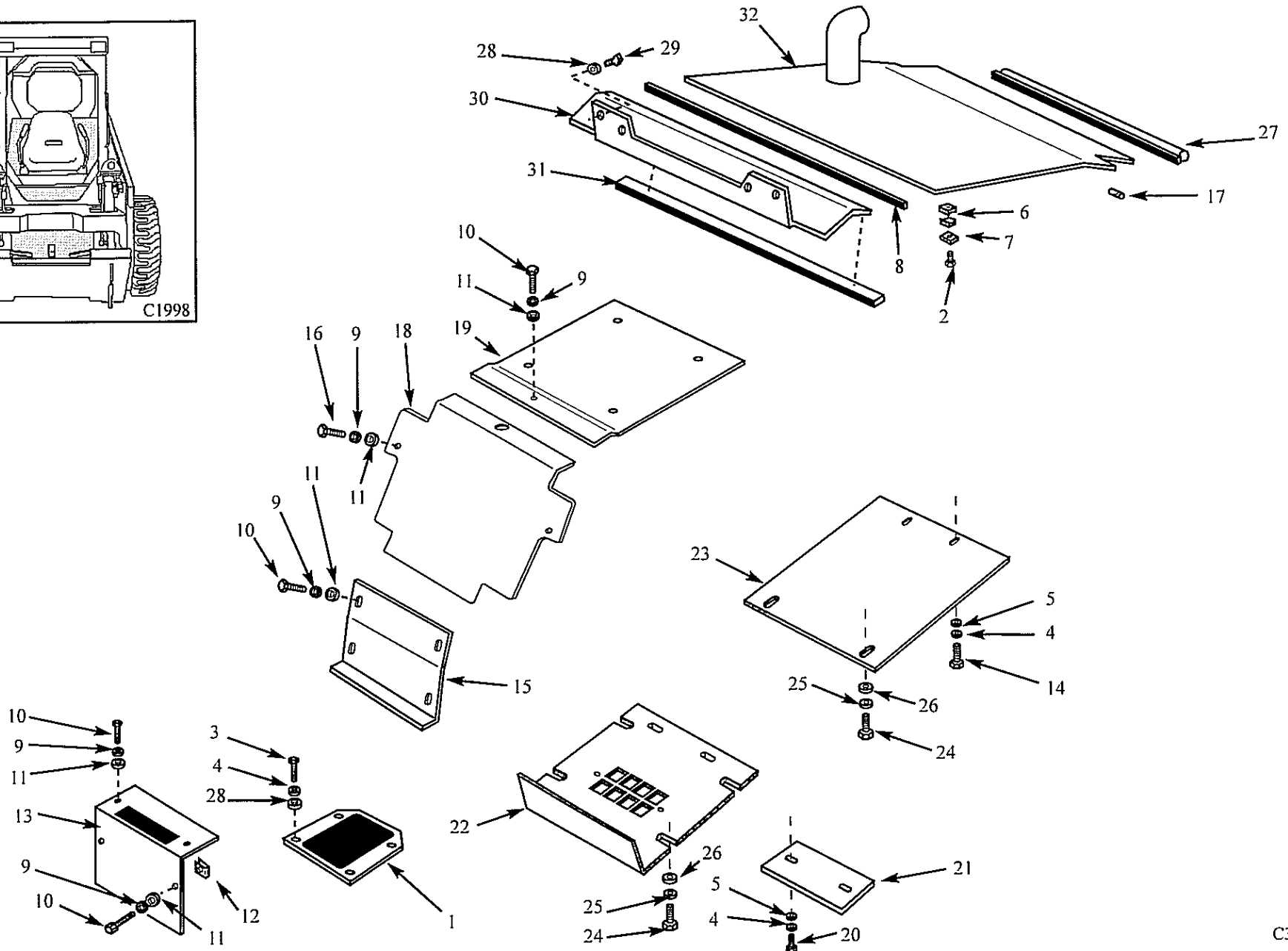
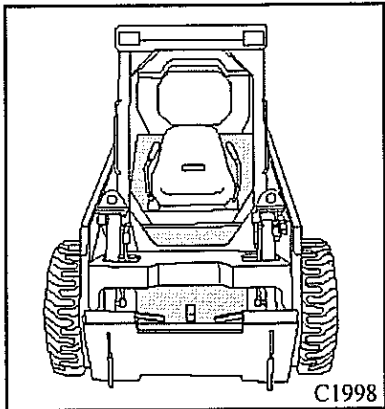
1.6



ITEM	PART	QTY	DESCRIPTION
1.	44061	2	Pin, Boom Support
2.	2010	2	Fitting, Grease
3.	1350	2	Nut, Hex
4.	40337	2	Bar, Lock Pin Handle
5.	1190	2	Bolt, Hex
6.	1870	2	Washer, Lock
7.	1651	2	Washer, Flat
8.	42491	1	Spring
9.	39546	2	Knob, Tapered Red
10.	38797	1	Panel, Boom Support
11.	6086	2	Nut, Captive

SHIELDS

1.7

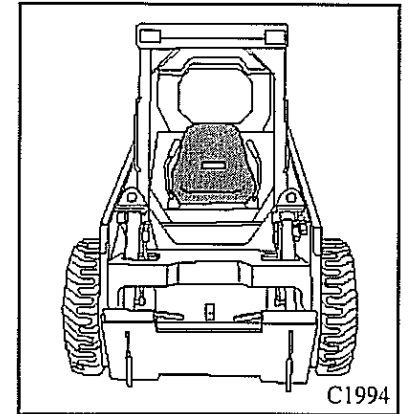
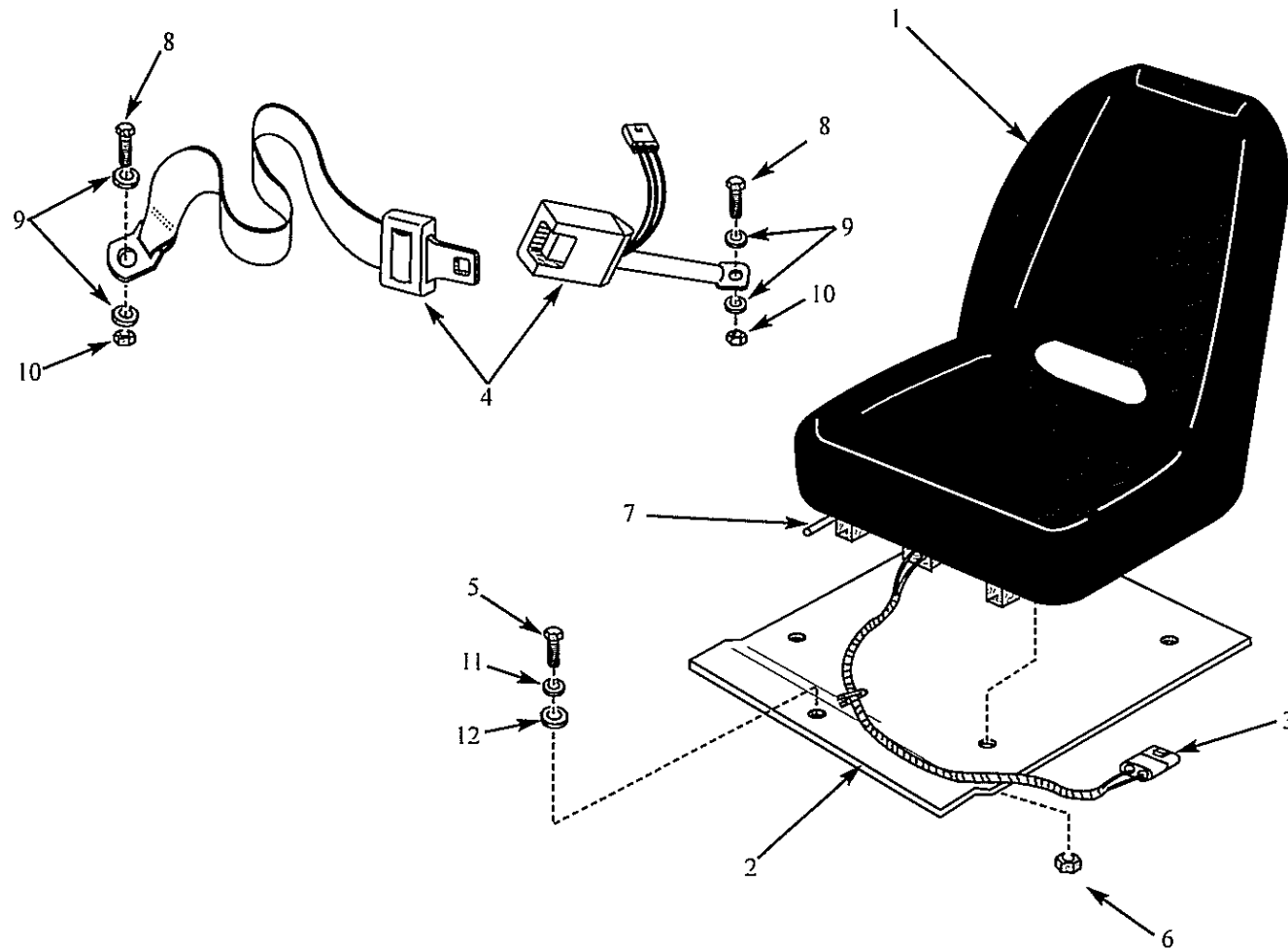


C3477

ITEM	PART	QTY	DESCRIPTION
1.	44797	1	Sheet, Step Shield, Foot Operated Controls
2.	17422	2	Bolt, Hex
3.	2663	4	Bolt, Hex
4.	1642	4	Washer, Lock
5.	1643	4	Washer, Flat
6.	39557	4	Clamp, Tube Single
7.	39556	2	Plate, Cover Single
8.	820	A/R	Edging, Vinyl
9.	1870	8	Washer, Lock
10.	1190	8	Bolt, Hex
11.	1651	8	Washer, Flat
12.	6086	4	Nut, Captive
13.	25762	1	Shield, Front Step
14.	1193	2	Bolt, Hex
15.	44877	1	Sheet, Front Bulkhead Bottom
16.	1190	2	Bolt, Hex
17.	261	per/ft	Hose
18.	963106	1	Front Bulkhead Assembly
19.	41619	1	Sheet, Seat Mount
20.	1673	2	Bolt, Hex
21.	32070	1	Sheet, Clean Up Cover
22.	40183	1	Plate, Bellypan Front
23.	44520	1	Plate, Bellypan Rear
24.	20856	6	Bolt, Hex
25.	20861	6	Washer, Lock
26.	22385	6	Washer, Flat
27.	821	A/R	Molding, Trim Seal
28.	1650	4	Washer, Flat
29.	31744	4	Screw, Hex Head
30.	42227	1	Sheet, Rear Shield
31.	15931	per/ft	Foam Weather Strip
32.	963932	1	Engine Cover Assembly
*	47472	1	Bar, Cover Prop
*	39868	1	Washer, Nylon
*	2338	1	Bolt, Hex
*	1650	1	Washer Flat
*	2279	1	Washer, Lock

SEAT & SEAT BELT

1.8



ITEM	PART	QTY	DESCRIPTION
1.	38600	1	Seat, Assembly w/o Logo
2.	41619	1	Sheet, Seat Mount
3.	39904	1	Harness, Seat Switch Wire
	38516	1	Switch, Seat
4.	47422	1	Belt, Safety 2" (Non-Retractable)
	38569	1	Belt, Safety 3" (Non-Retractable)
	48275	1	Belt, Safety 2" (Retractable)
	48276	1	Belt, Safety 3" (Retractable)
5.	1190	1	Bolt, Hex
6.	43558	4	Nut, Hex
7.	42931	1	Adjusters, Seat Rail Assy.
8.	1193	2	Bolt, Hex
9.	1643	4	Washer, Flat
10.	7465	2	Nut, Nylok
11.	1870	1	Washer, Lock
12.	1651	1	Washer, Flat

WHEELS and TIRES

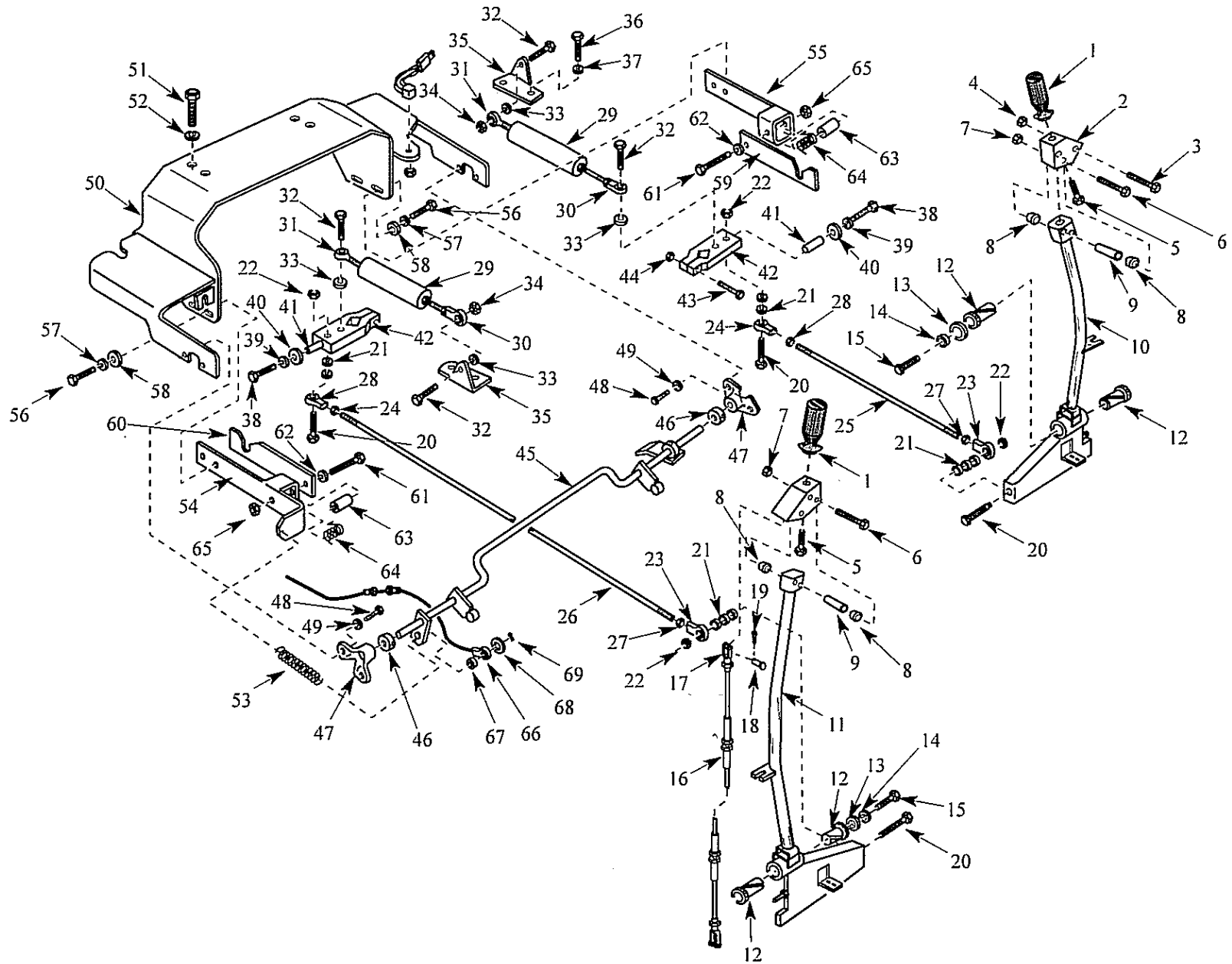
1.9

PART	QTY	DESCRIPTION
963425	1	Kit, Tire 12 x 16.5, 2000 Series
46438	2	Wheel & Tire Assy RH, 12 x 16.5, 8 Bolt
46439	2	Wheel & Tire Assy LH, 12 x 16.5, 8 Bolt
5832	32	Nut, Wheel
025116SP	4	Wheel
046435SP	4	Tire

2. CONTROLS

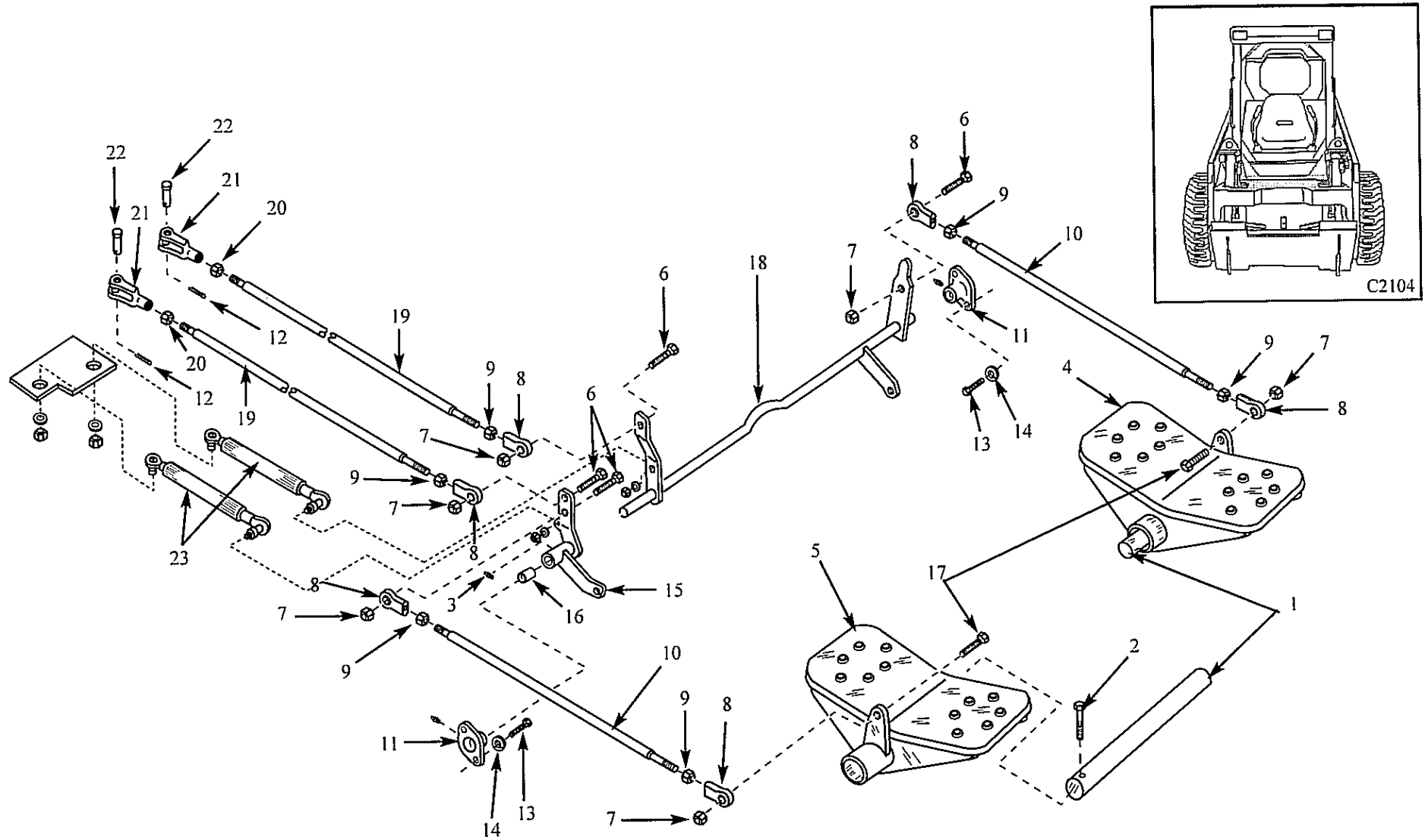
Control Levers.....	2.1
Foot Pedals.....	2.2
Throttle.....	2.3
Restraint Bar.....	2.4

CONTROL LEVERS



ITEM	PART	QTY	DESCRIPTION	ITEM	PART	QTY	DESCRIPTION
1.	46933	2	Handle, Control	38.	1364	2	Bolt, Hex 3/8 x 2
2.	962874	2	Lever Base Welded Assy.	39.	1642	2	Washer, Lock 3/8
3.	1677	1	Bolt, Hex 5/16 x 2	40.	29384	2	Washer, Fender
4.	16771	1	Nut, Nylok, Hex 5/16	41.	37854	2	Bar, Rod End Spacer
5.	46353	2	Bolt, Hex	42.	961928	2	Pintle Lever Assembly
6.	25589	2	Bolt, Hex 1/4 x 1 3/4	43.	1677	2	Bolt, Hex 5/16 x 2
7.	23772	2	Nut, Jam, Locking	44.	16771	2	Nut, Nylok, Hex 5/16
8.	44348	4	Bushing, Flange	45.	962890	1	Pintle Unlock Shaft Assembly
9.	44349	2	Tube, Handle Spacer	46.	29066	2	Collar, Set
10.	963348	1	Lever, LH Control Welded Assy.	47.	29065	2	Bearing, Flanged, 2-Bolt
11.	963349	1	Lever, RH Control Welded Assy.	48.	2663	4	Bolt, Hex 1/4 x 3/4
12.	44347	4	Busing, Flange	49.	2279	4	Washer, Lock 1/4
13.	29384	2	Washer, Fender	50.	962884	1	Lock Mount Assembly
14.	1870	2	Washer, Lock 5/16	51.	1680	4	Bolt, Hex 1/2 x 1 1/4
15.	1190	2	Bolt, Hex 5/16 x 1	52.	20861	4	Washer, Lock 1/2
16.	44576	1	Cable, Push-Pull 65" Long	53.	33269	1	Spring, Extension
17.	35884	2	Clevis, 1/4" Pin	54.	963139	1	Pivot Assembly, RH
18.	30044	2	Pin, Clevis 1/4 x 3/4	55.	960837	1	Pivot Assembly, LH
19.	1630	2	Pin, Cotter 1/16 x 3/4	56.	1193	2	Bolt, Hex 3/8 x 1
20.	2008	4	Hex Bolt 7/16 x 2	57.	1642	2	Washer, Lock 3/8
21.	6394	10	Washer, Lock 7/16	58.	1643	2	Washer, Flat 3/8
22.	43384	4	Nut, Nylok 7/16	59.	48342	1	Sheet, Lock Arm Straight (Long)
23.	42207	2	Rod End Assy, .4375 Female RH	60.	48341	1	Sheet, Lock Arm Straight (Short)
24.	42208	2	Rod End Assy, .4375 Female LH	61.	14620	2	Bolt, Hex 3/8 x 2 3/4
25.	46394	1	Bar, CF RD Linkage LH Pintle	62.	1643	2	Washer, Flat 3/8
26.	44824	1	Bar, CF RD Linkage RH Pintle	63.	23012	2	Pivot, Bushing
27.	5406	2	Nut, Hex 7/16	64.	956137	2	Spring
28.	42211	2	Nut, Hex 7/16	65.	7465	2	Nut, Nylok 3/8
29.	959073	2	Hydroback Assembly	66.	42443	1	Cable, Assy. Pull 51.6"
30.	5803	2	Rod End Assy, .375 Female	67.	41042	1	Insulator, Nylon
31.	15880	2	Rod End Assy, .375 Male	68.	1650	1	Washer, Flat 1/4
32.	1672	4	Bolt, Hex 3/8 x 1 1/2	69.	1630	1	Pin, Cotter 1/16 x 3/4
33.	21172	4	LH Seat Plate Mount	*	44384	1	Sheet, Lever Boot Cover RH
34.	7465	4	Nut, Nylok 3/8	*	44385	1	Sheet, Lever Boot Cover LH
35.	46366	2	Plate, Hydroback Mount	*	44311	2	Boot, Rubber Bellows, Control Lever
36.	21559	4	Bolt, Hex	*	044805	2	Cable, Hand Control
37.	21029	4	Washer, Lock	*	Items not shown.		

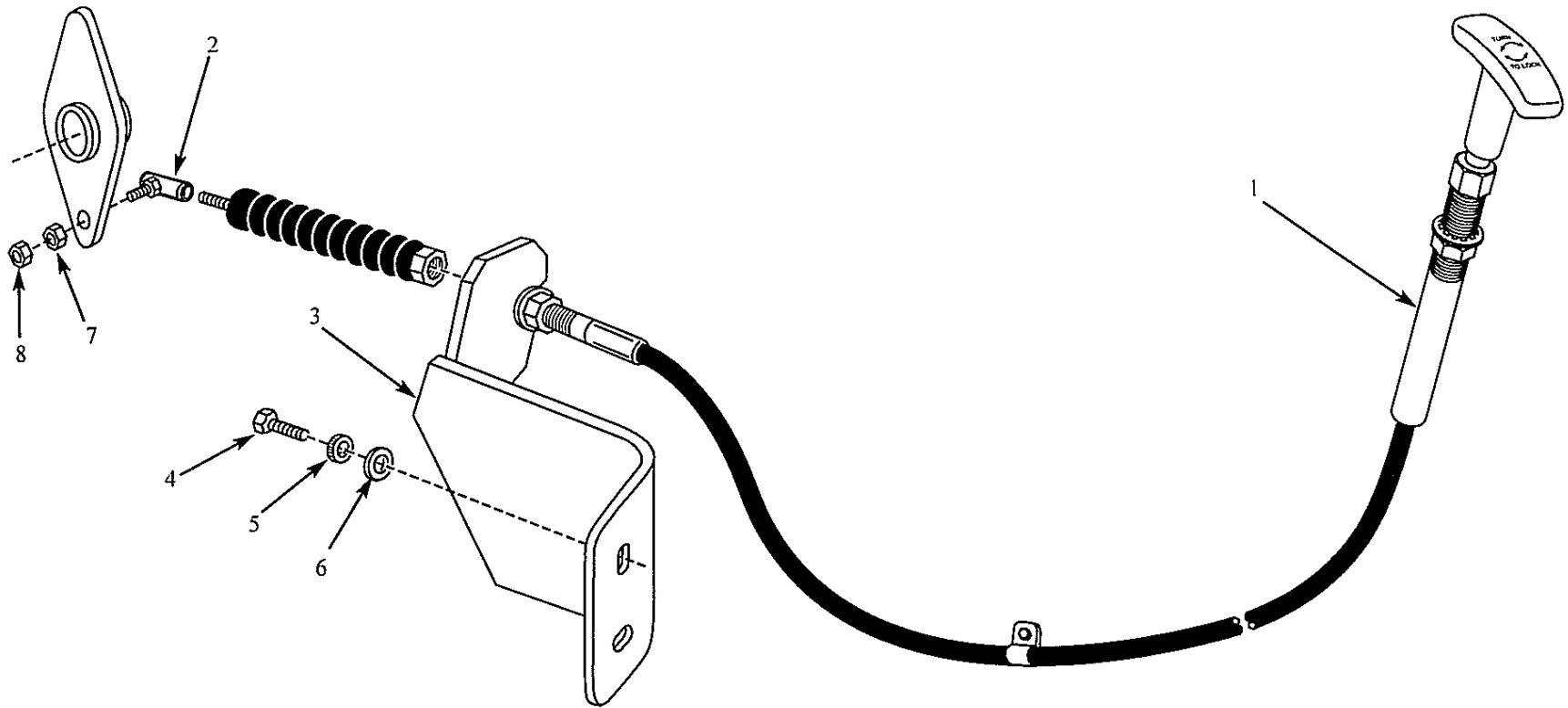
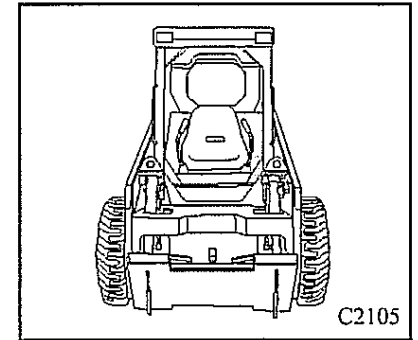
FOOT PEDALS



ITEM	PART	QTY	DESCRIPTION
1.	44789	2	Bar, Foot Pedal Shaft
2.	46106	2	Screw
3.	35449	1	Grease fitting
4.	963832	1	Pedal, Lift Assy.
5.	963059	1	Pedal, Tilt Assy.
6.	2580	4	Bolt, Hex
7.	16771	6	Nut, Nylok
8.	26174	6	Rod End Assy.
9.	1626	6	Nut, Hex
10.	44762	2	Bar, Valve Control Front
11.	44979	2	Bearing, Flanged, 2-Bolt
12.	1630	2	Pin, Cotter
13.	2593	4	Bolt, Hex
14.	1870	4	Washer, Lock
15.	963900	1	Activator, RH Assy.
16.	47760	2	Bronze Bushing
17.	46159	2	Bolt, Carriage
18.	963905	1	Assy, Control Cross Shaft
19.	47791	2	Bar, Valve Control Rear
20.	5405	2	Nut
21.	35884	2	Clevis
22.	30044	2	Pin, Clevis
23.	47371	2	Dampener, Self Centering 9 lb.

THROTTLE

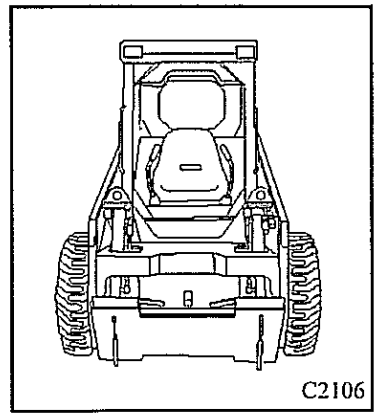
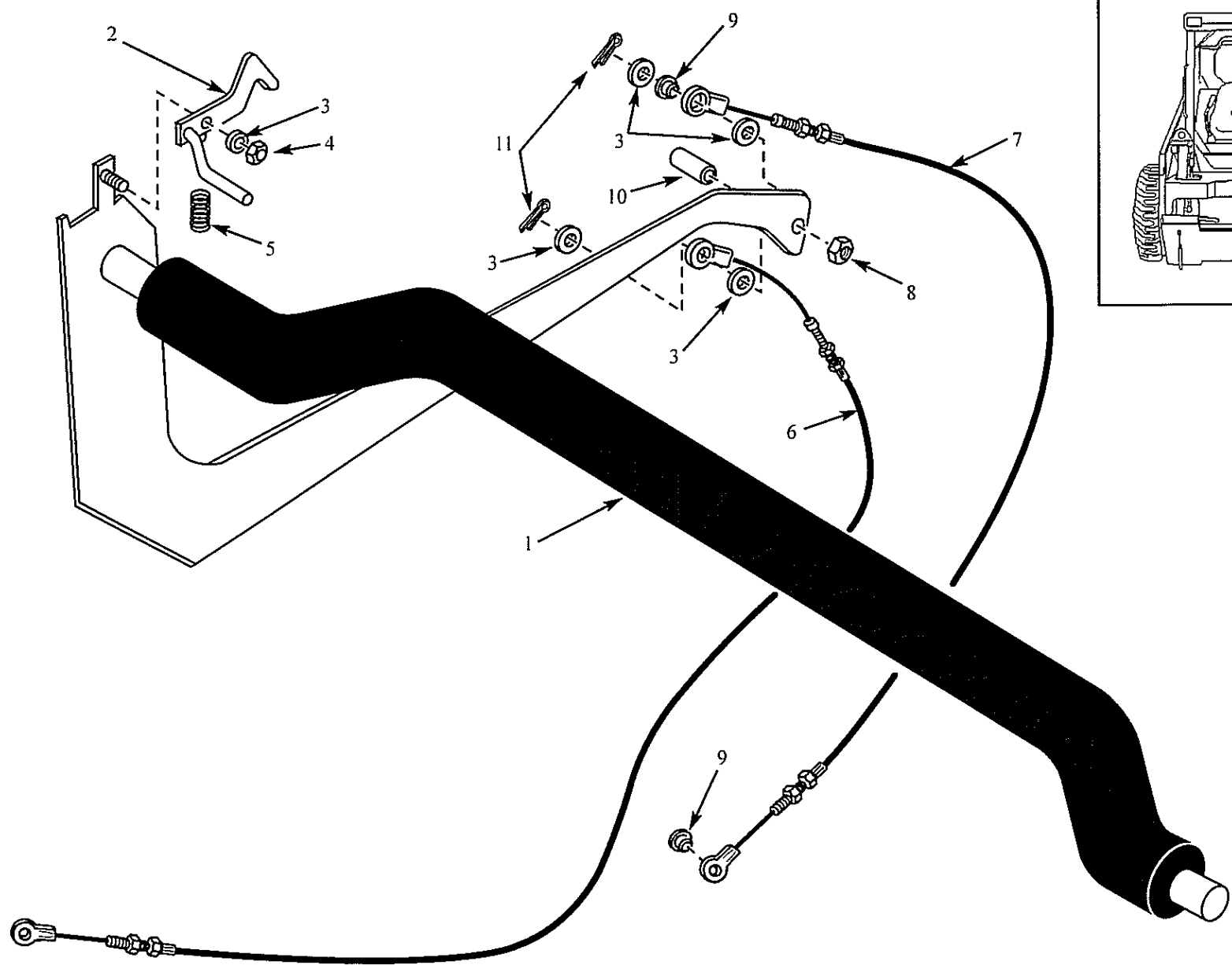
2.3



C3343

ITEM	PART	QTY	DESCRIPTION
1.	43840	1	Cable, Turn-to-Lock 68"
2.	42047	1	Joint, Ball Socket
3.	963108	1	Throttle Bracket Assy.
4.	24790	2	Bolt, Hex
5.	21028	2	Washer, Lock
6.	1643	2	Washer, Flat
7.	2279	1	Washer, Lock
8.	1350	1	Nut

RESTRAINT BAR



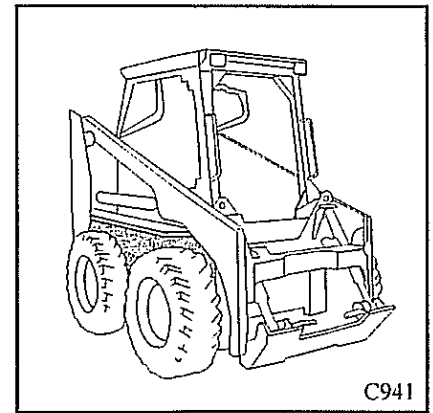
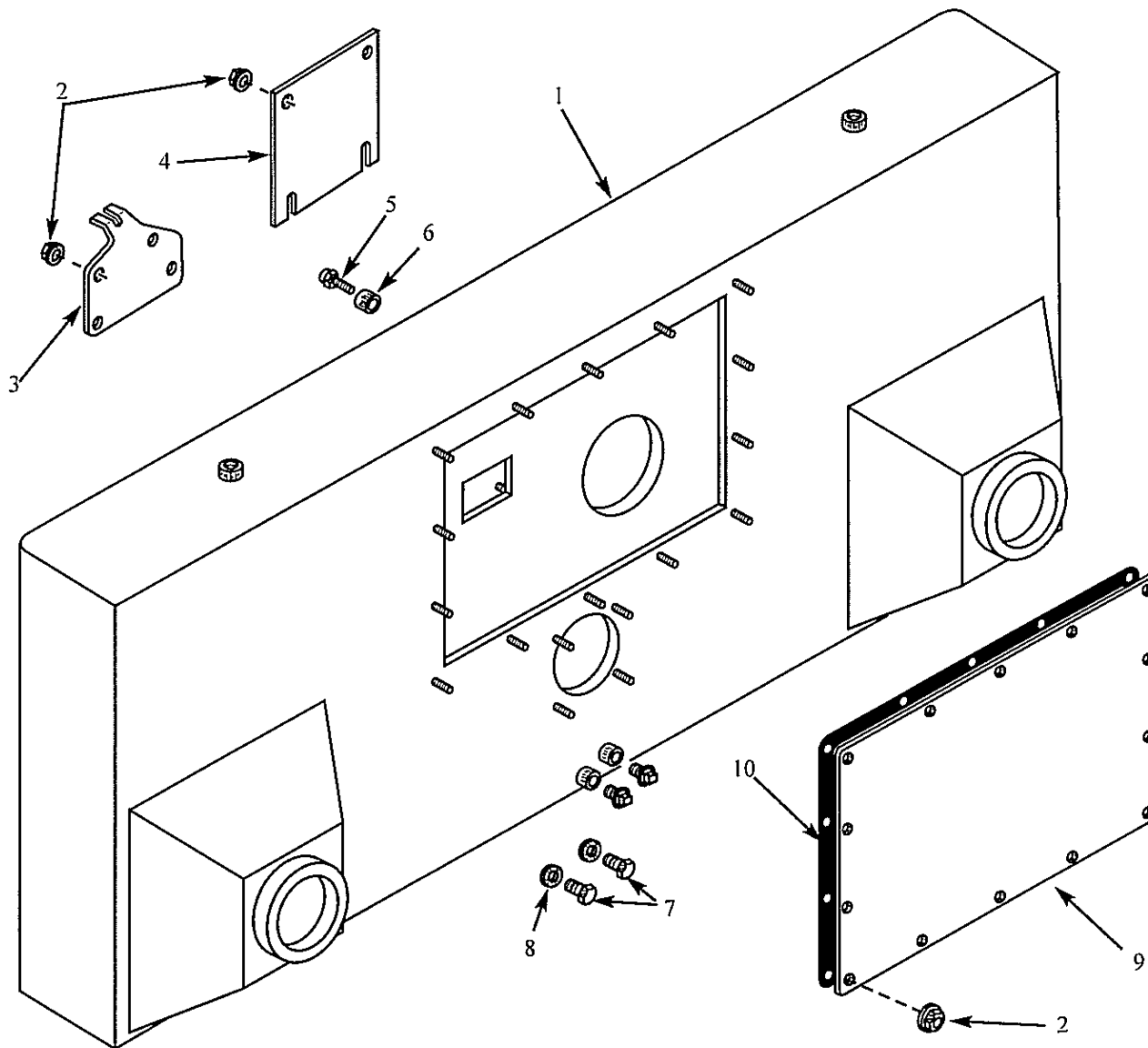
ITEM	PART	QTY	DESCRIPTION
1.	961742	1	Restraint Bar Assy
2.	960497	1	Hook, Latch Assy, RH
	960498	1	Hook, Latch Assy, LH
3.	1650	6	Washer, Flat
4.	6645	2	Nut, Nylok
5.	38834	2	Spring
6.	38553	1	Cable, Pull 75"
7.	42443	1	Cable, Assy Pull 51.6" Bulkhead Mount
8.	8613	2	Nut, Nylok
9.	41042	2	Insulator, Nylon
10.	40320	2	Spacer
11.	1630	2	Pin Cotter

3. FINAL DRIVE TRANSMISSION

Transmission Housing.....	3.1
Axle Assembly	3.2
Idler Sprocket and Drive Chains.....	3.3
Parking Brake.....	3.4

TRANSMISSION HOUSING

3.1

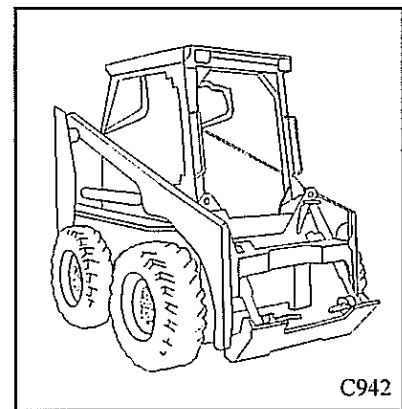
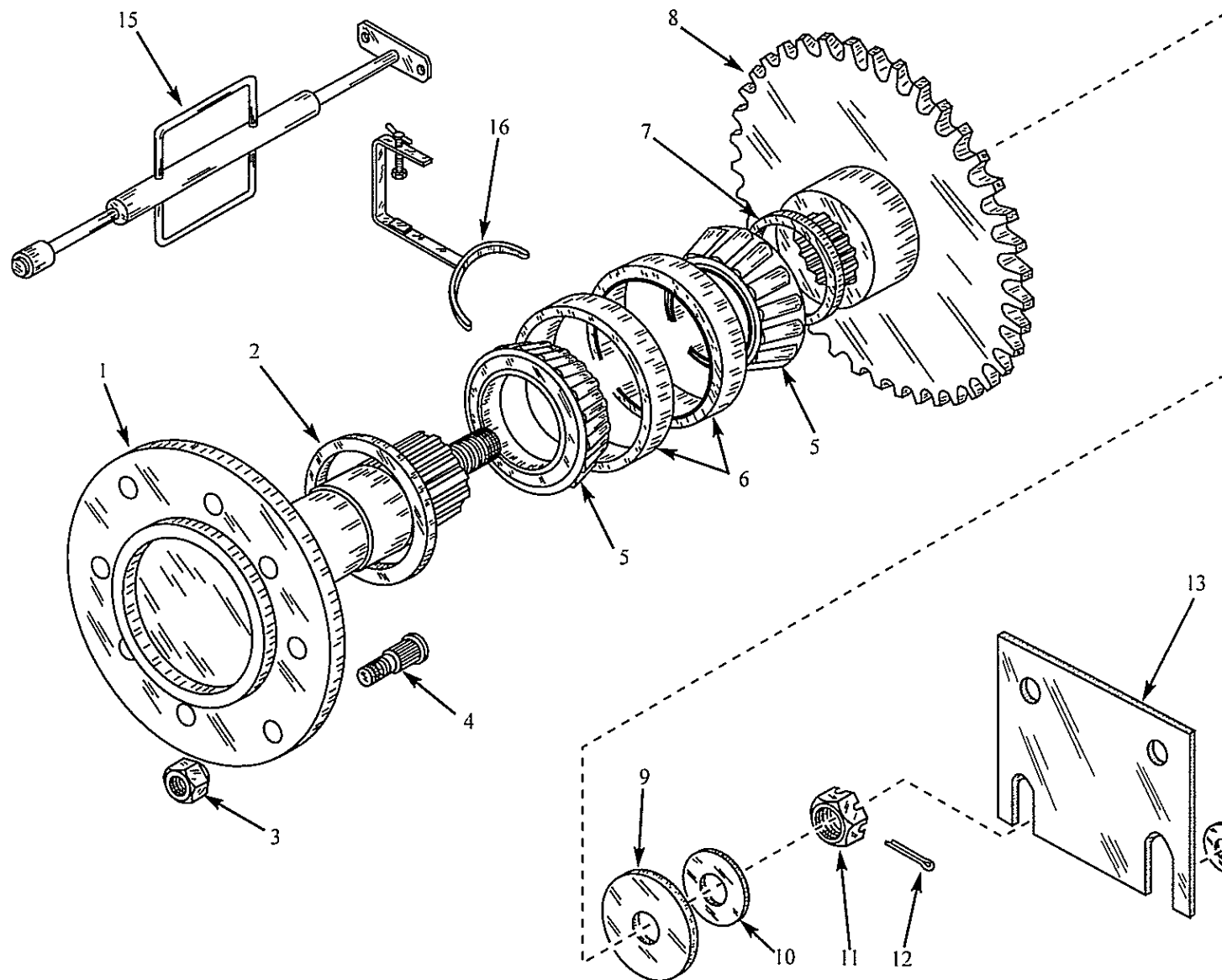


ITEM	PART	QTY	DESCRIPTION
1.	962675	1	Transmission RH, Welded Assembly
1.	962676	1	Transmission LH, Welded Assembly
2.	43558	52	Nut, Hex Flanged
3.	46448	1	Sheet, LH Cover
3.	46447	1	Sheet, RH Cover
4.	26315	4	Sheet, Rear Cap
5.	6377	2	Plug, Vented
6.	952766	2	Bushing, Breather Reducing
7.	44357	4	Plug, Drain
8.	44358	4	Washer, Nylon
9.	44148	2	Sheet, Cover
10.	46455	1	Gasket, Transmission Inspection Cover

* Diagram shows LH side of Transmission Housing only.

AXLE ASSEMBLY

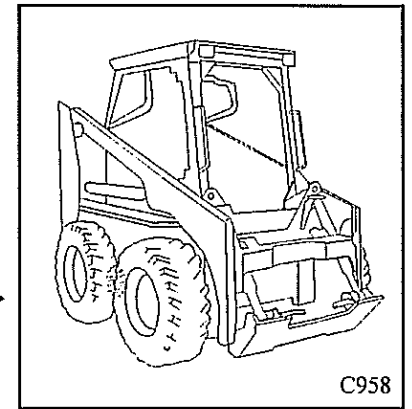
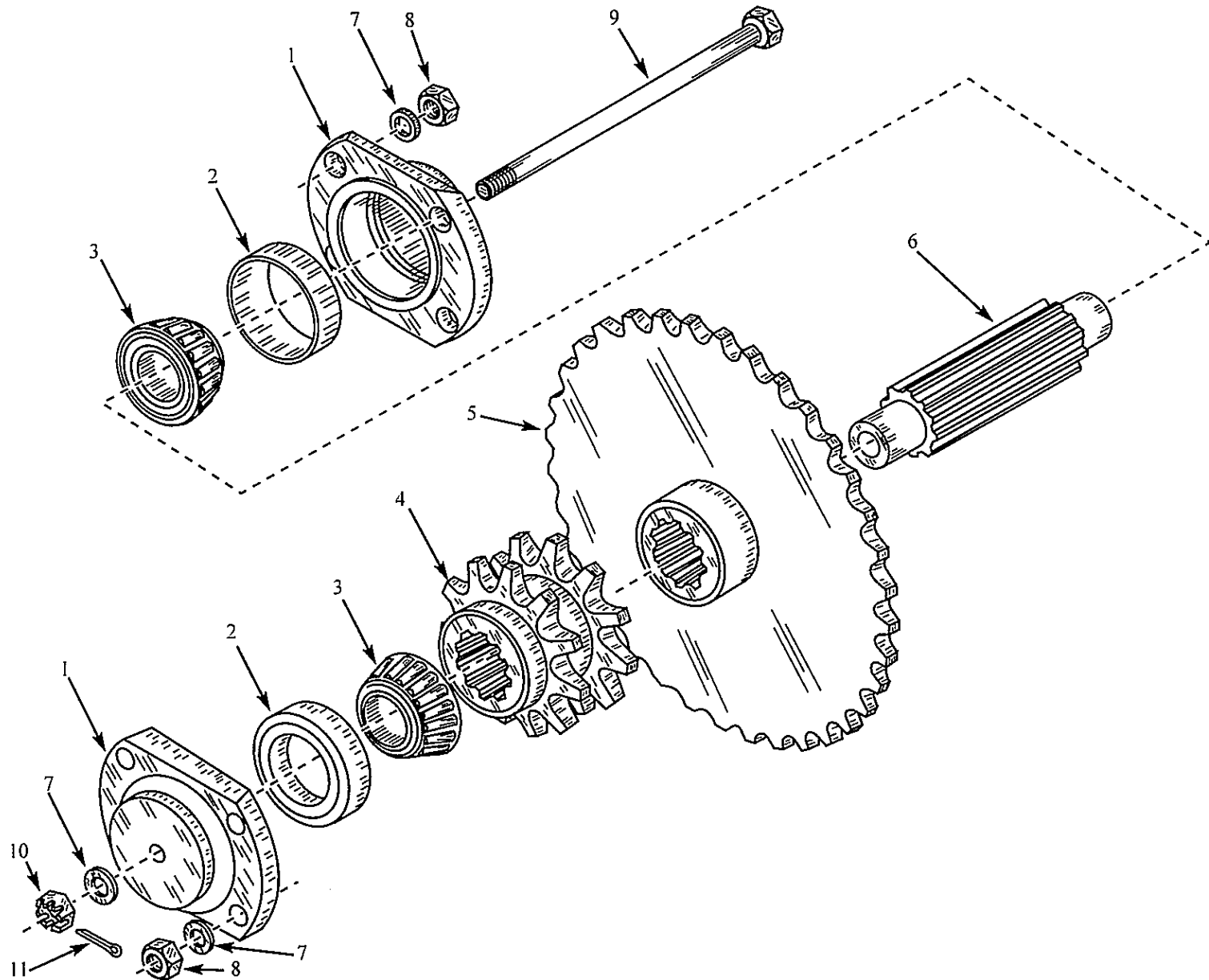
3.2



ITEM	PART	QTY	DESCRIPTION
1.	957785	1	Axle Assembly (4 required)
2.	29029	1	Seal
3.	5832	8	Nut, Wheel
4.	26188	8	Stud, Wheel
5.	26509	2	Bearing, Cone
6.	26510	2	Bearing, Cup
7.	25618	1	Plate, Axle Spacer
8.	26042	1	Sprocket, 27T100
9.	29361	1	Plate, Axle Washer
10.	22448	1	Washer, Axle
11.	14877	1	Nut, Castle
12.	1386	1	Pin, Cotter
13.	26315	1	Sheet, Rear Cap
14.	43558	4	Nut, Hex, Flange
15.	960475	1	Axle Puller
16.	958674	2	Seal Installation Tool, 2 Required

IDLER SPROCKETS and DRIVE CHAINS

3.3



ITEM	PART	QTY	DESCRIPTION
1.	954434	4	Flange, Inner Bearing
2.	8705	4	Bearing, Cup
3.	8704	4	Bearing, Cone
4.	22734	2	Sprocket, Idler 11T100
5.	26041	2	Sprocket, 38T80
6.	25104	2	Shaft, Splined Intermediate
7.	25845	22	Washer, Flat
8.	8613	16	Nut, Nylok
9.	956429	2	Bolt, Assy.
10.	17340	2	Nut, Castle
11.	1546	2	Pin, Cotter

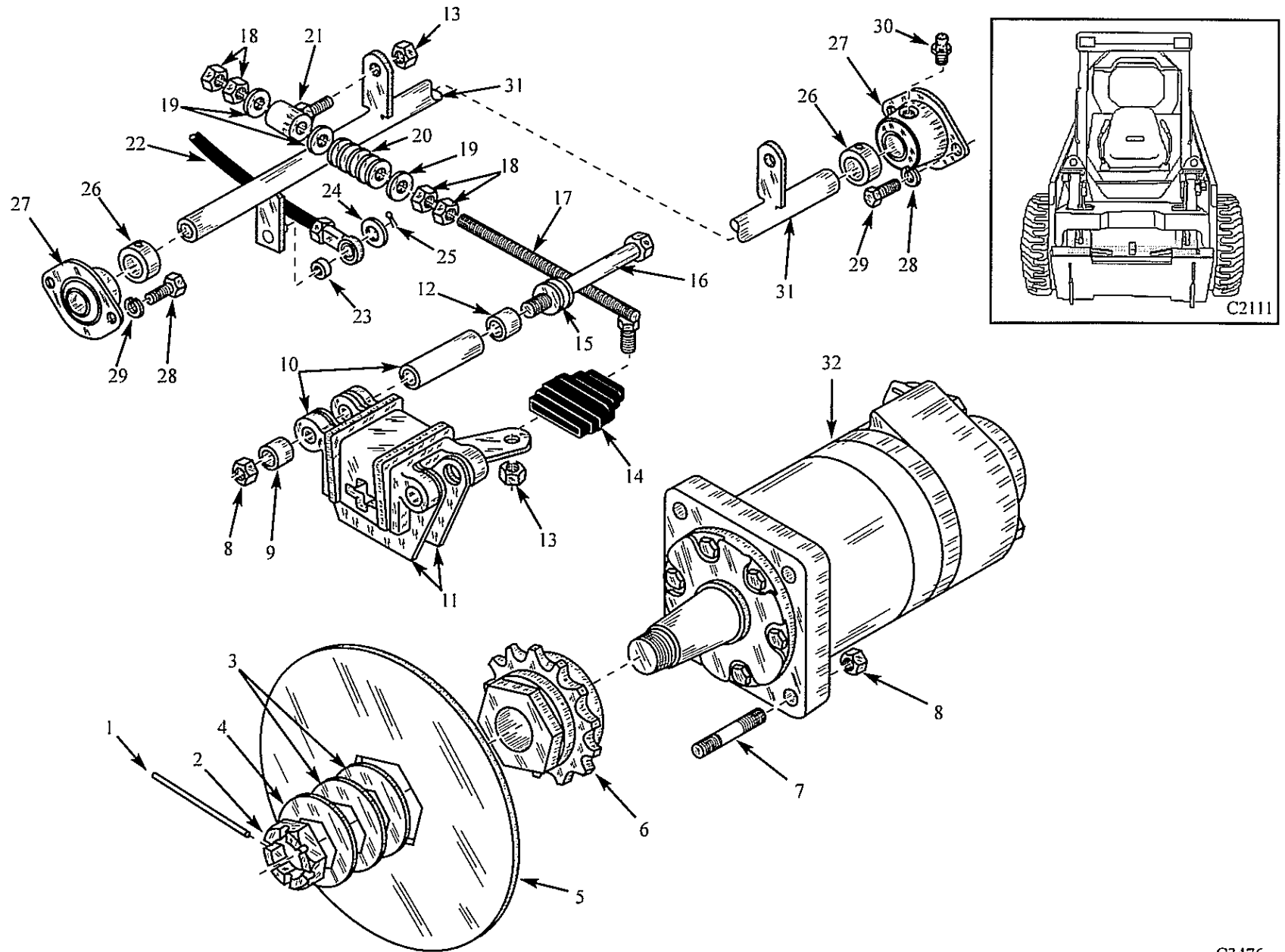
* Quantities listed for both sides of the loader.

CHAINS and CONNECTING LINKS (per side)

*	31044	1	Primary Idler Chain, #80 Roller X 45 Links, with Connector
*	31045	1	Front Chain, #100 Roller X 51 Links, with Connector
*	44270	1	Rear Chain, Heavy Duty #100H Roller X 58 Links, with Connector
*	32906	1	Connecting Link, #80
*	32907	1	Connecting Link, #100

PARKING BRAKE

3.4



ITEM	PART	QTY	DESCRIPTION
1.	30800	0.616 ft.	Rod, Filler Stainless 1/8"
2.	22071	2	Castle Nut
3.	30474	4	Washer, 2 1/4 Hexagon .135 Thick
4.	30470	2	Washer, 2 1/4 Hexagon .179 PL Thick
5.	25843	2	Disc, Brake LWB
6.	25842	2	Sprocket, Drive w/ Disc Mt.
7.	29093	8	Stud, Machine
8.	8613	8	Nut, Nylok
9.	29477	4	Bushing
10.	28979	2	Caliper, Brake Assy.
11.	049340	4	Brake Pad
12.	29476	4	Bushing
13.	7465	4	Nut, Nylok
14.	41853	2	Boot, Neoprene Brake
15.	30485	4	Washer, Flat 1/2" Hardened
16.	1662	4	Bolt
17.	956659	2	Rod, Threaded Assy
18.	1194	8	Nut, Hex 3/8
19.	1643	6	Washer, Flat 3/8
20.	1205	2	Spring, Compression
21.	956660	2	Bushing Assy.
22.	38553	1	Cable, Pull 75" Long
23.	41042	1	Insulator, Nylon
24.	1650	1	Flat Washer
25.	1630	1	Cotter Pin
26.	4842	2	Collar, Set 3/4
27.	24914	2	Bearing, Flange 3/4
28.	6081	4	Bolt, Hex 5/16 x 3/4
29.	1870	4	Washer, Lock 5/16
30.	37184	2	Grease Fitting
31.	962503	1	Shaft, Brake Assy.
32.	***	2	Torque Motor
*	961596	1	Mount, Brake Cable Assy.

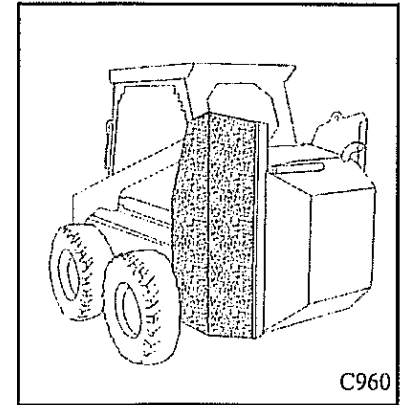
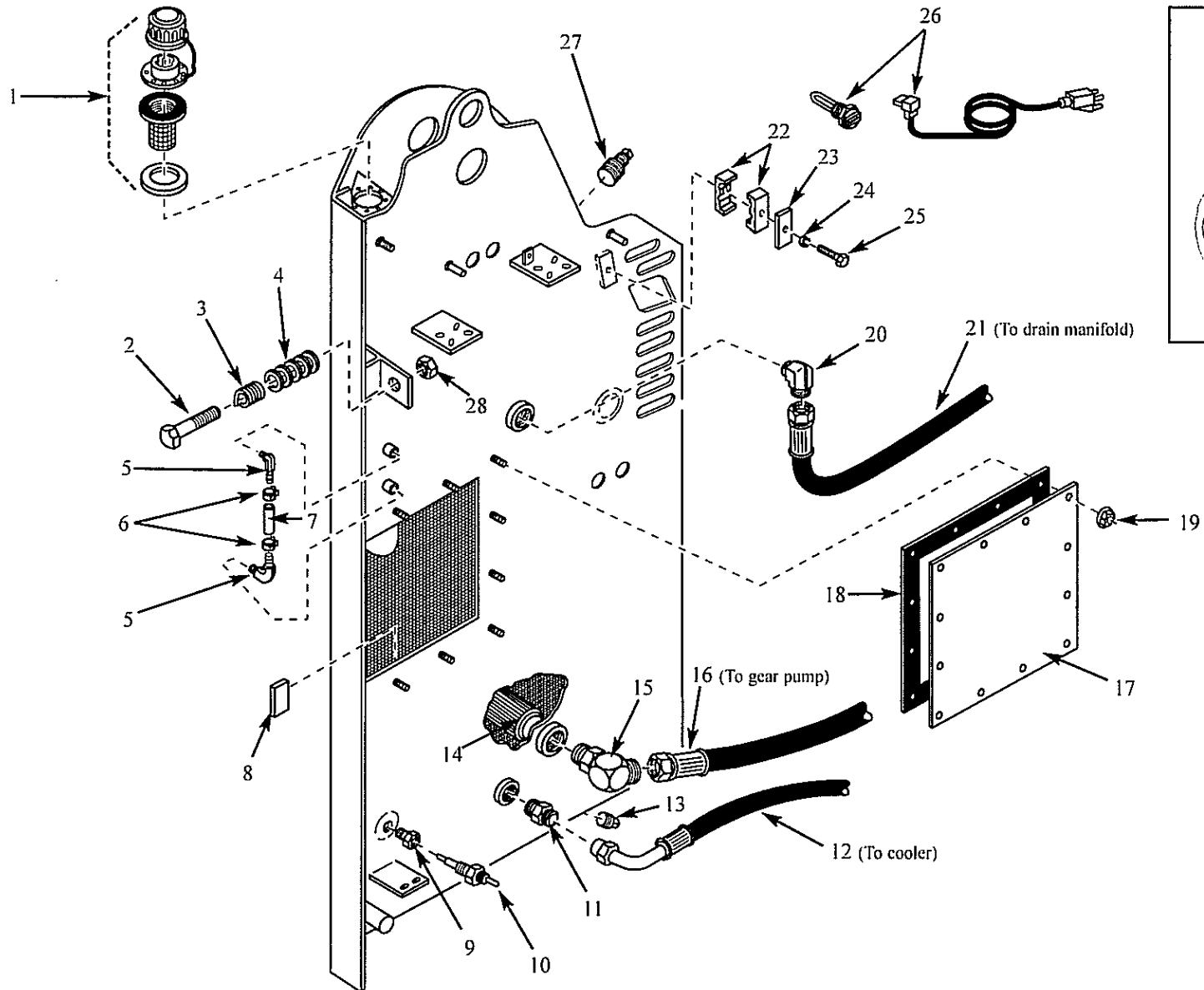
* Diagram shows RH side only. Quantities listed for the entire Parking Brake System.

4. HYDRAULIC SYSTEM

Oil Reservoir	4.1
Hydraulic Oil Filter	4.2
Boom Lift Circuit.....	4.3
Fan / Radiator / Oil Cooler	4.4
Lift Cylinder.....	4.5
Bucket Tilt Circuit.....	4.6
Tilt Cylinder	4.7
Auxiliary Circuit	4.8
Control Valve	4.9

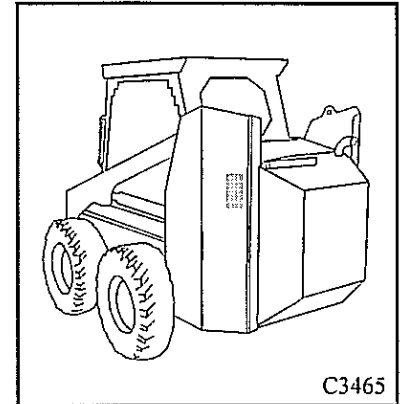
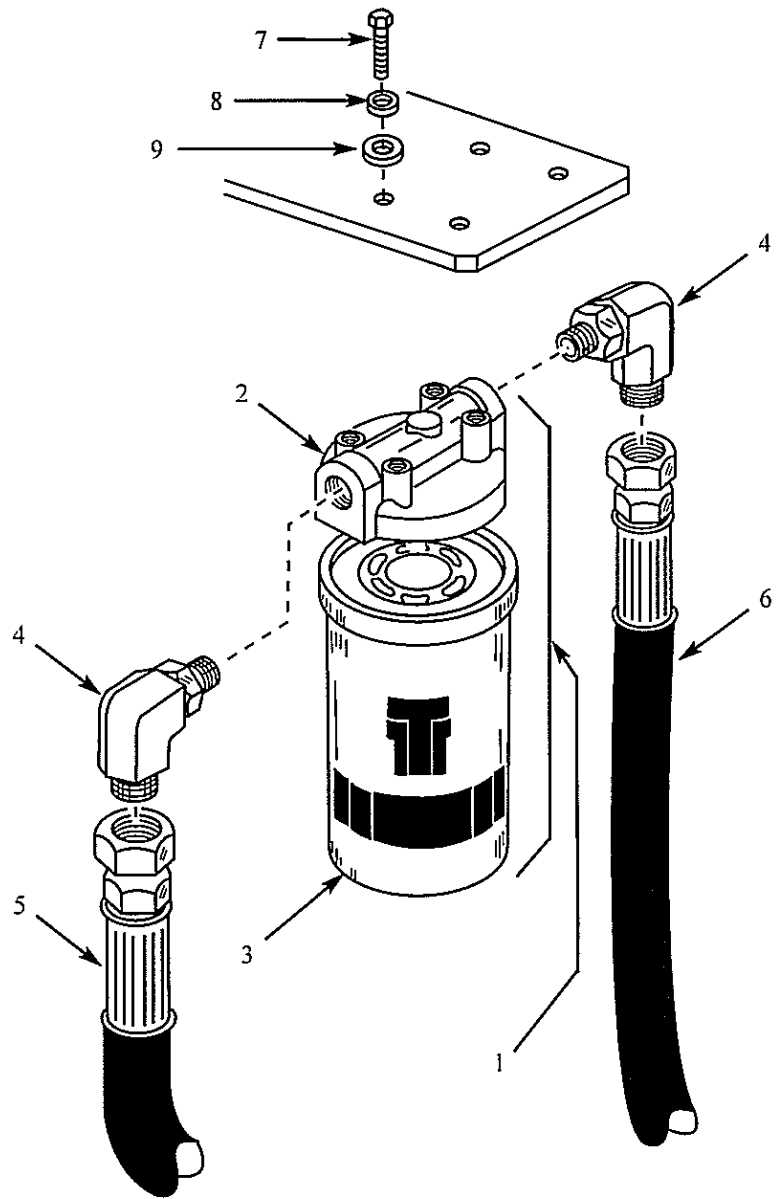
OIL RESERVOIR

4.1



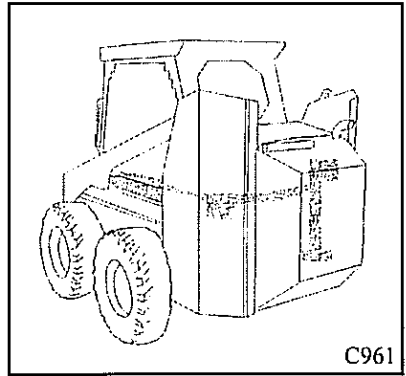
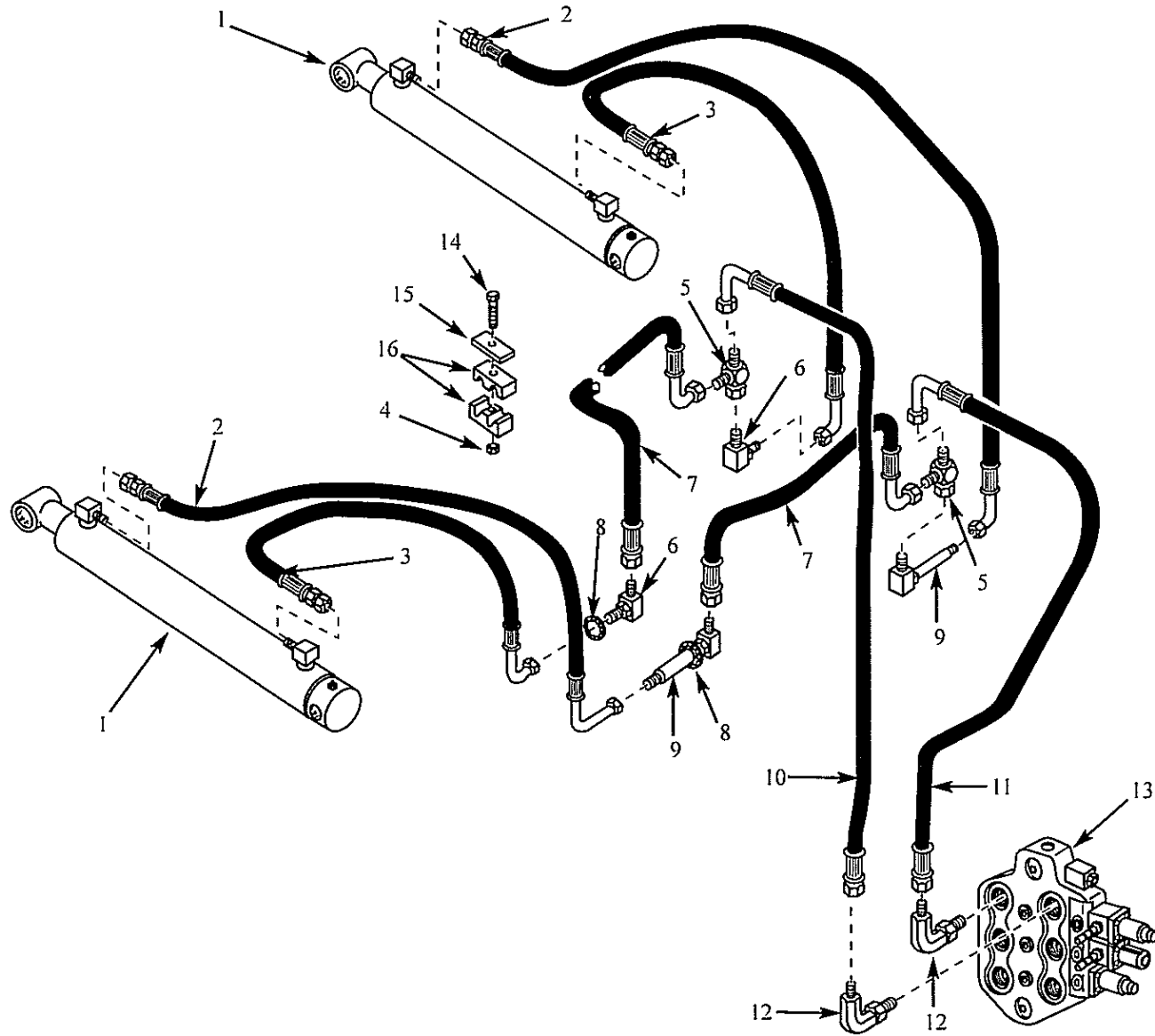
ITEM	PART	QTY	DESCRIPTION
1.	36733	1	Breather, Oil Filler Locking
2.	1773	1	Bolt, Hex
3.	32920	1	Spring, Compression
4.	25845	5	Washer, Flat
5.	34903	2	Elbow, 90°
6.	34919	2	Clamp, Circle Two Ear
7.	698	0.354 ft.	Tube, Clear Vinyl
8.	32478	1	Magnet, Hydraulic Oil Tank
9.	37208	1	Bushing, Reducing
10.	37206	1	Switch, Temperature Sender
11.	42321	1	Adapter
12.	963499	1	Hose, Hydraulic 1" x 100" (Cooler outlet top port to tank)
13.	17144	1	Plug, Socket Head Magnetic Pipe
14.	14898	1	Element, Hydraulic Oil Suction
15.	38768	1	Elbow, 90°
16.	963502	1	Hose, Hydraulic 1-1/4 x 53" (Tank to gear pump)
17.	20232	1	Coverm Inspection Hole
18.	46456	1	Gasket, Oil Tank Inspection Cover
19.	43558	12	Nut, Hex Flange
20.	36422	1	Elbow, 90°
21.	961756	1	Hose, Hydraulic 3/4" x 42" (Manifold to tank)
22.	38303	4	Clamp
23.	38472	2	Clamp Plate
24.	1870	1	Washer, Lock
25.	15433	1	Bolt
26.	30549	1	Heater, Hydraulic Oil (Optional)
27.	1457	1	Plug
28.	8613	1	Nut, Lock

HYDRAULIC OIL FILTER



ITEM	PART	QTY	DESCRIPTION
1.	38587	1	Filter, Hydraulic Assy.
2.	38588	1	Head, Filter Hydraulic Assy.
3.	35243	1	Element, Hydraulic Oil Filter
4.	33850	2	Elbow, 90°
5.	963498	1	Hose, Hydraulic 1" x 104.5" (Filter outlet to cooler inlet)
6.	961748	1	Hose, Hydraulic 3/4" x 96.5" (Valve outlet to filter inlet)
7.	1193	4	Bolt, Hex
8.	1642	4	Washer, Lock
9.	1643	4	Washer, Flat

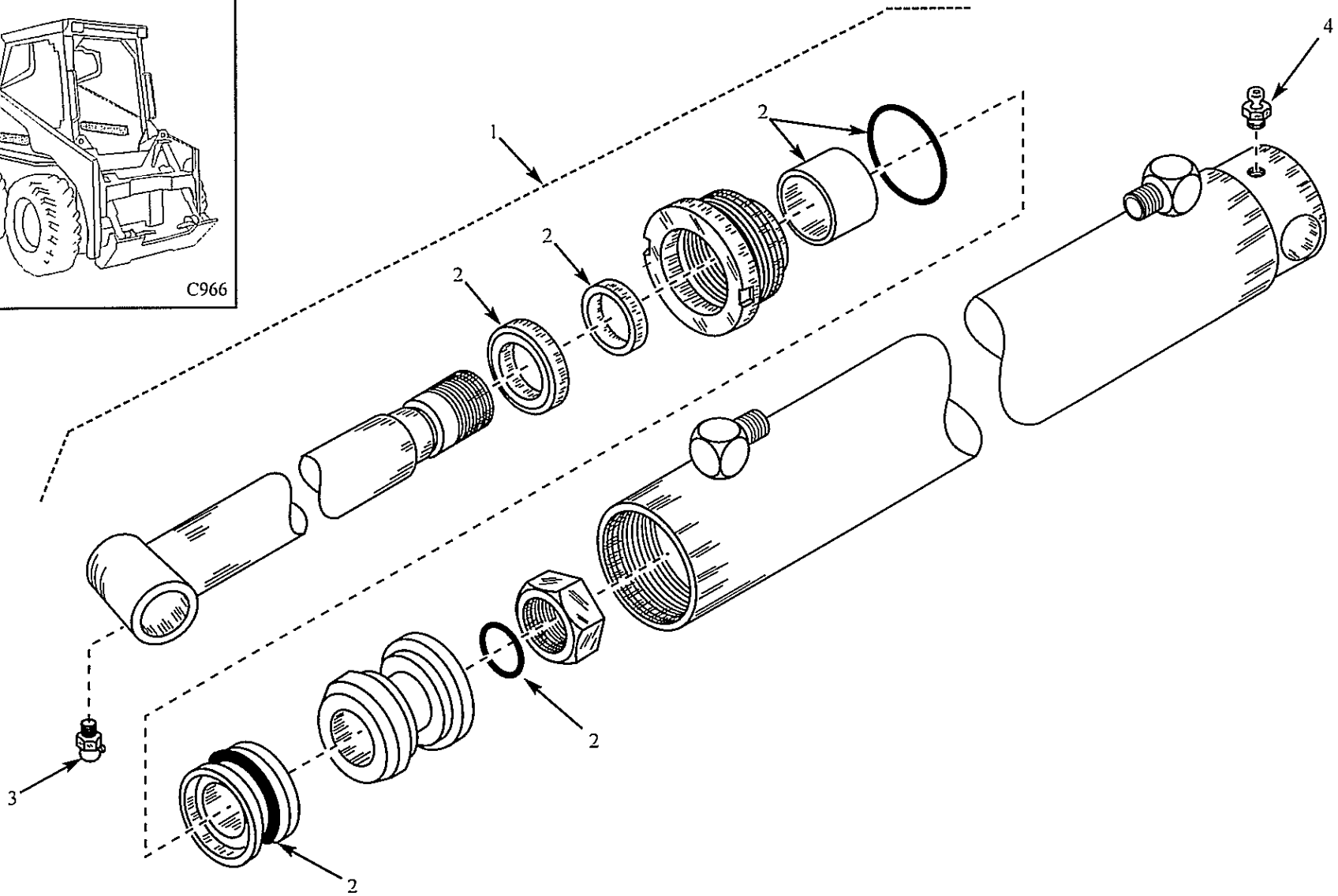
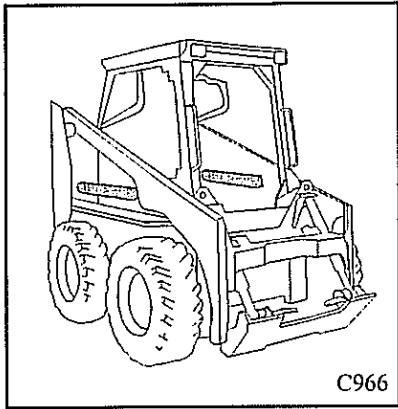
BOOM LIFT CIRCUIT



ITEM	PART	QTY	DESCRIPTION
1.	***	2	Lift cylinder, see section 4.5
2.	962903	2	Hose, Hydraulic (Lift cylinder front port to rear bulkhead)
3.	962904	2	Hose, Hydraulic (Lift cylinder rear port to front bulkhead)
4.	16771	2	Lock nut
5.	42322	2	Tee
6.	33831	2	Connector, Bulkhead 90°
7.	961774	2	Hose, Hydraulic (Lift hoses from bulkhead to bulkhead)
8.	43903	4	Washer, Lock Internal Tooth
9.	36336	2	Connector, Bulkhead 90°
10.	963230	1	Hose, Hydraulic (Lift rear port to front bulkhead)
11.	963231	1	Hose, Hydraulic (Lift front port to rear bulkhead)
12.	19232	2	Elbow, 90°
13.	***	1	Control valve, see section 4.9
14.	42625	2	Bolt
15.	42076	2	Plate, Cover Twin
16.	43033	4	Clamp

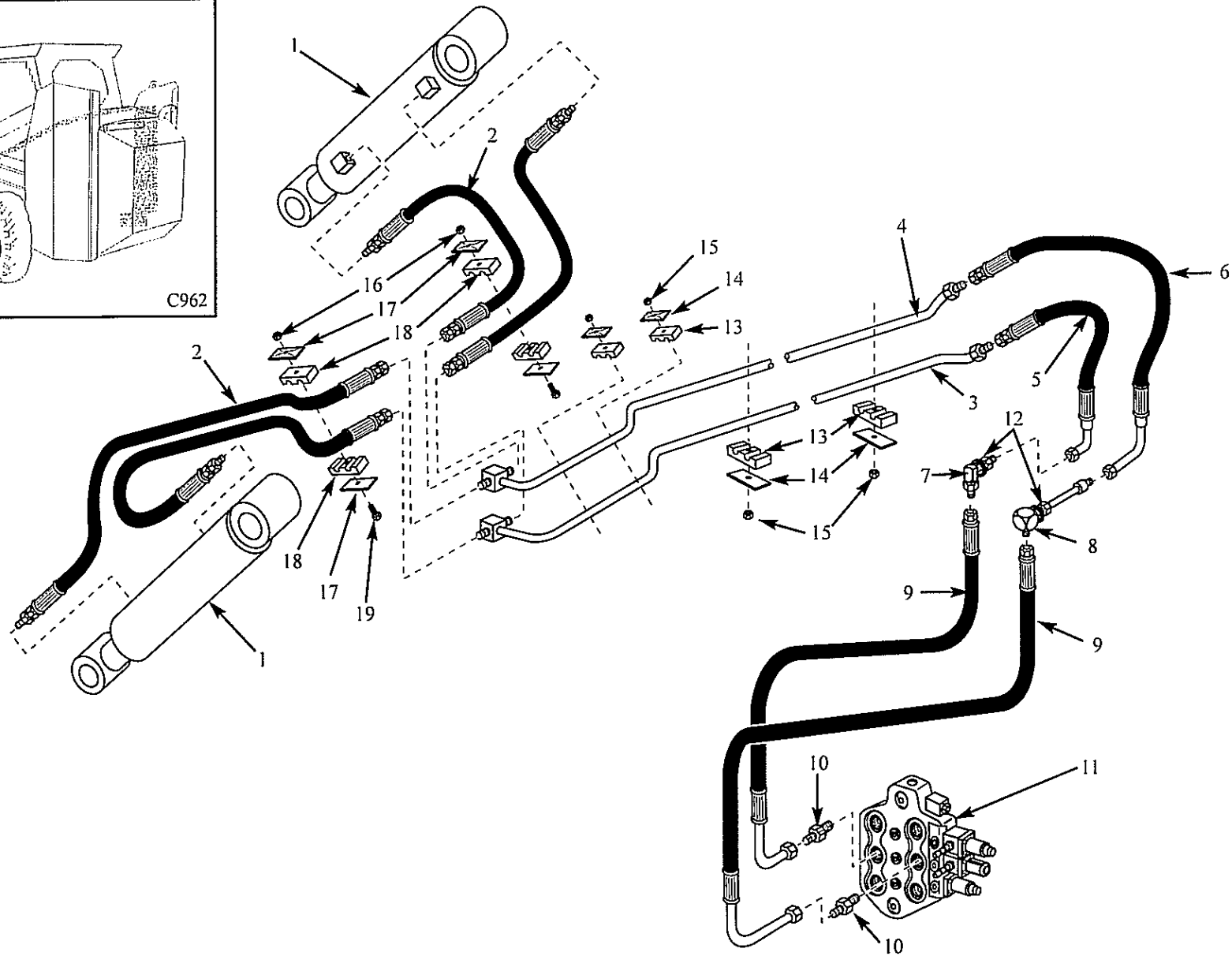
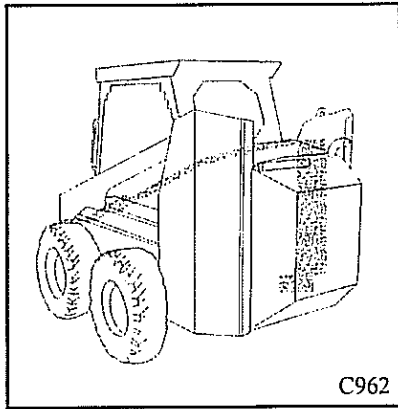
ITEM	PART	QTY	DESCRIPTION
1.	46352	1	Cooler, Hyd. Assembly
2.	407	4.5 ft.	Hose, Fuel 3 3/16
3.	34919	1	Clamp, Circle Two Ear
4.	46345	1	Radiator, Assembly
5.	6268	4	Clamp, Hose #32
6.	46411	1	Hose, Flex 1 3/4" x 19" (Top radiator hose to engine)
7.	21554	4	Bolt, Hex
8.	21029	4	Washer, Lock
9.	46635	1	Fan, Pusher
10.	46684	1	Guard, Radiator Fan
11.	48462	1	Shroud, Fan
12.	963499	1	Hose, Hydraulic 1" x 100" (Cooler outlet top port to tank)
13.	46266	1	Hose, Molded (Bottom radiator hose to engine)
14.	33850	1	Elbow, 90 Degree
15.	963498	1	Hose, Hydraulic 1" x 104.5" (Filter outlet to cooler inlet bottom port)
16.	963475	1	Mount, RH Rear Assembly
17.	963476	1	Mount, LH Rear Assembly
18.	46332	1	Plate, Cross Brace
19.	1190	4	Bolt, Hex 5/16 x 3/4
20.	16771	4	Nut, Nylok, Hex 5/16
21.	47704	1	Plate, Rad Support
22.	6081	6	Bolt, Hex 5/16 x 3/4
23.	1870	6	Washer, Lock 5/16
24.	1651	6	Washer, Flat 5/16
25.	6081	1	Bolt, Hex 5/16 x 3/4
26.	43558	1	Nut, Hex Flange 5/16
27.	46346	1	Sheet, Top Radiator Brace
28.	44904	1	Radiator Cap

LIFT CYLINDER



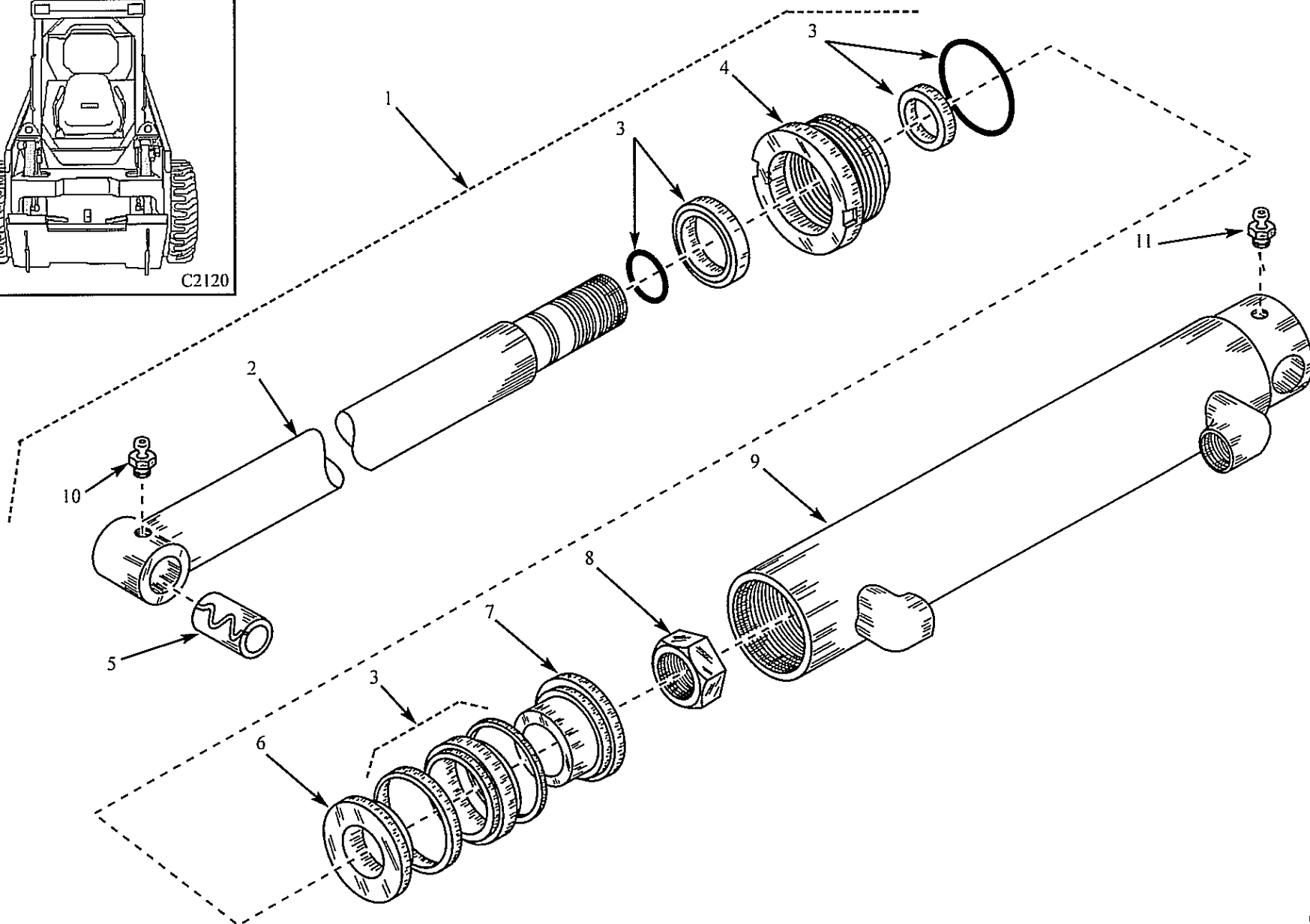
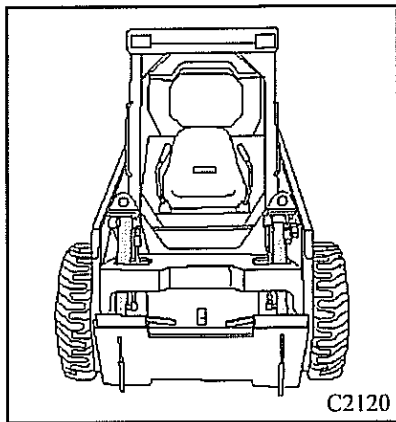
ITEM	PART	QTY	DESCRIPTION
1.	46216	1	Cylinder Assembly (pair required)
2.	29875	1	Kit, Seal Hydraulic Cylinder
3.	47177	1	Grease Fitting, 90°
4.	2010	1	Grease Fitting Straight

BUCKET TILT CIRCUIT



ITEM	PART	QTY	DESCRIPTION
1.	***	2	Tilt Cylinder, See Section 4.7
2.	961499	4	Hose, Hydraulic (Tilt cylinder to tube)
3.	42091	1	Tube, Hydraulic (Inside tilt tube)
4.	43570	1	Tube, Hydraulic (Outside tilt tube)
5.	961761	1	Hose, Hydraulic (Front bulkhead to inside hydraulic line)
6.	961760	1	Hose, Hydraulic (Rear bulkhead to outside hydraulic line)
7.	33831	1	Connector, Bulkhead 90°
8.	43536	1	Connector, Bulkhead 90° (Long)
9.	963232	2	Hose, Control Valve to Bulkhead
10.	19226	2	Connector
11.	***	1	Control Valve, See Section 4.9
12.	43903	2	Star washer
13.	38303	4	Clamp, Tube Twin 5/8"
14.	38472	4	Plate, Cover Twin
15.	7465	4	Nut, Nylok
16.	16771	2	Nut, Nylok
17.	42076	4	Plate, Cover Twin
18.	42061	4	Clamp, Twin 3/4" Tube
19.	1675	2	Bolt, Hex

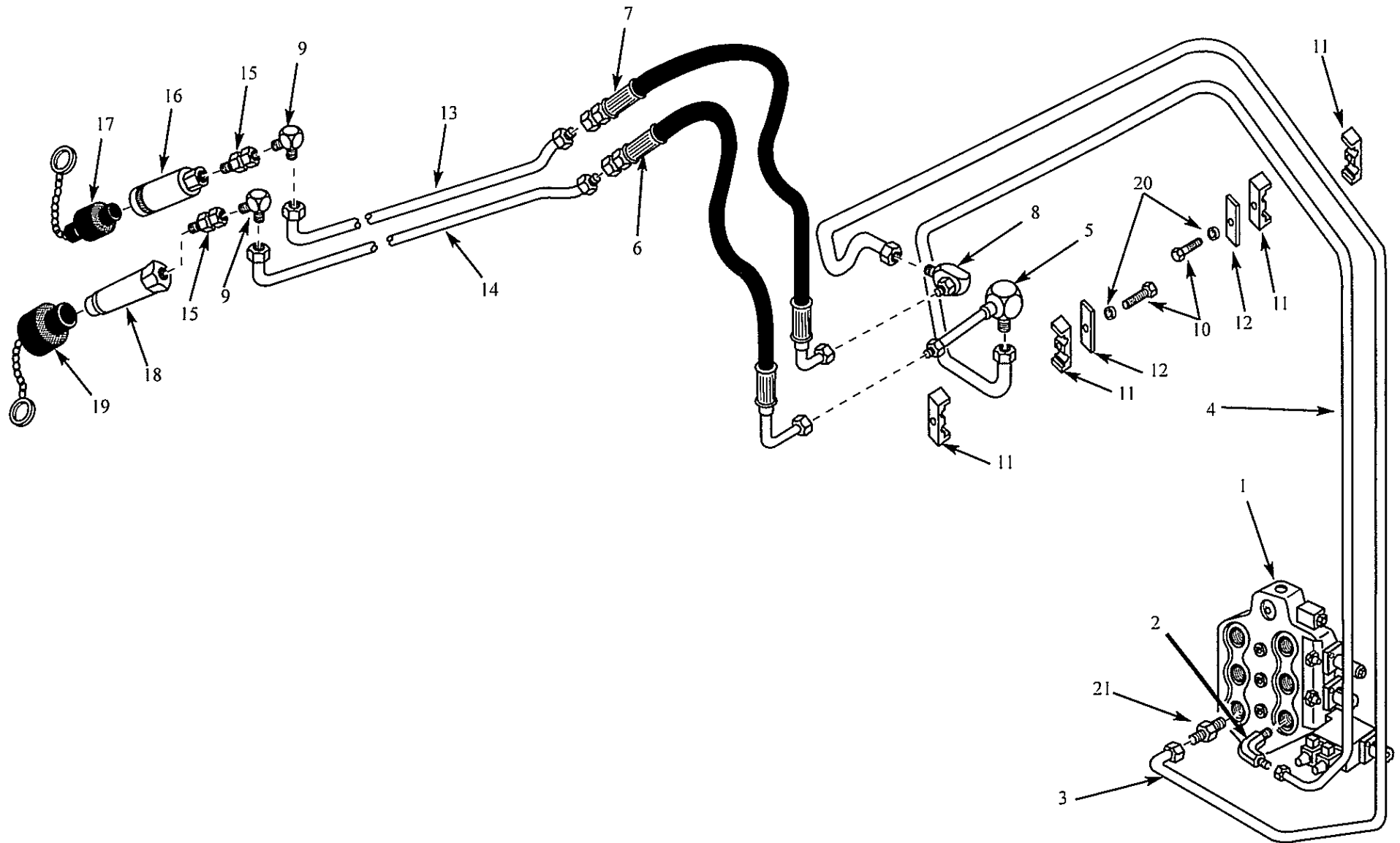
TILT CYLINDER



ITEM	PART	QTY	DESCRIPTION
1.	41420	1	Tilt Cylinder (pair required)
2.	43702	1	Rod, Hydraulic Cylinder
3.	29875	1	Kit, Seal, Hydraulic Cylinder
4.	43703	1	Cap, Hydraulic Cylinder End
5.	38589	1	Bushing, Hardened
6.	29979	1	Piston, Part "B"
7.	29978	1	Piston, Part "A"
8.	29896	1	Nut, Lock, Hex, Cylinder Shaft
9.	43704	1	Tube, Hydraulic Cylinder
10.	2010	1	Fitting, Grease (Straight)
11.	47177	1	Fitting, Grease (90°)

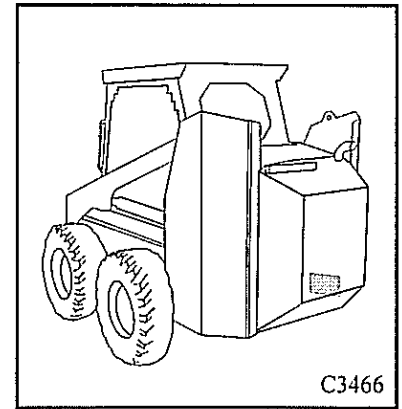
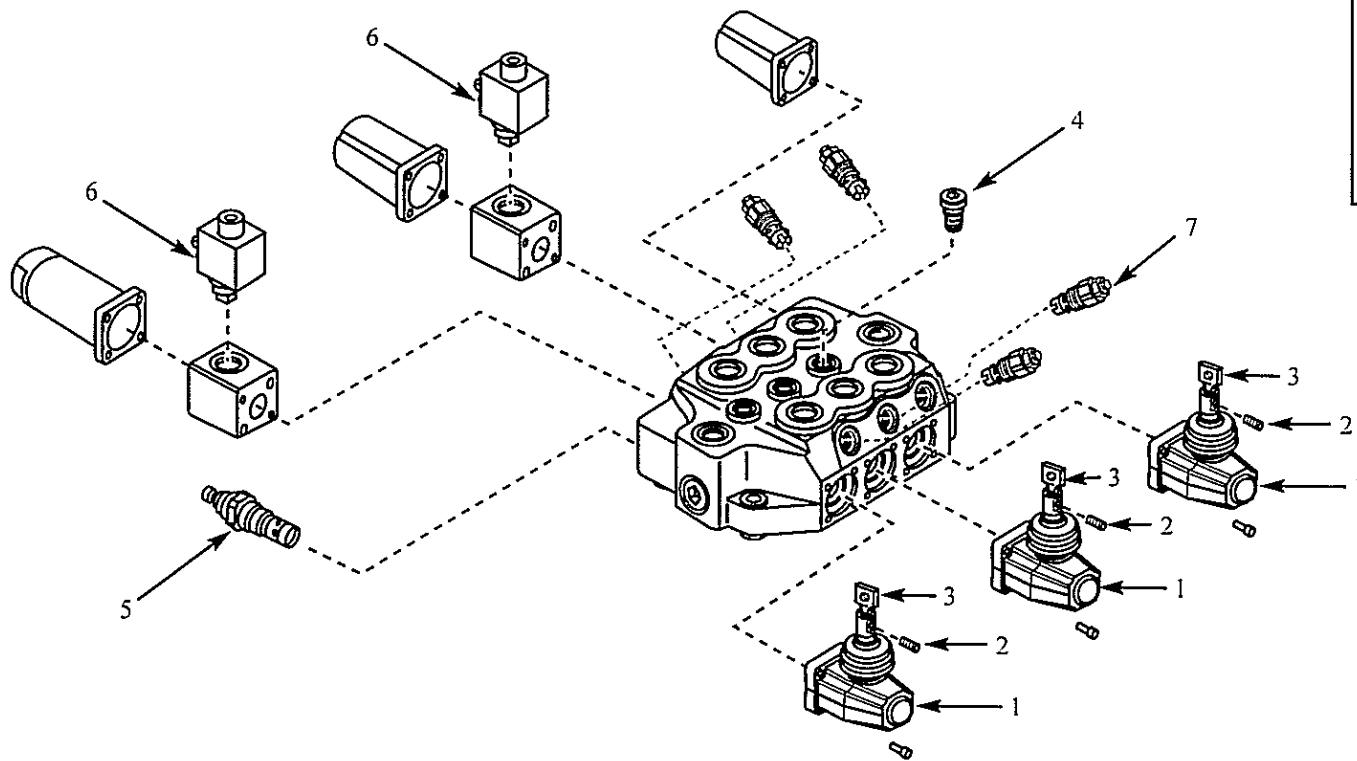
AUXILIARY CIRCUIT

4.8



ITEM	PART	QTY	DESCRIPTION
1.	***	1	Control Valve, See Section 4.9
2.	19232	1	Elbow, 90°
3.	44674	1	Tube, Hydraulic (Bulkhead to valve)
4.	44675	1	Tube, Hydraulic (Bulkhead to valve)
5.	43536	1	Connector, Bulkhead 90° (Long)
*	43903	2	Internal Star Washer (Used on bulkheads)
6.	961760	1	Hose, Hydraulic (Rear bulkhead to outside hydraulic line)
7.	961761	1	Hose, Hydraulic (Front bulkhead to inside hydraulic line)
8.	33831	1	Connector, Bulkhead 90°
9.	22280	2	Elbow, 90°
10.	15433	2	Bolt
11.	38303	4	Clamp, Tube Twin
12.	38472	2	Plate, Cover Twin
13.	42089	1	Tube, Hydraulic (Inside auxiliary tube)
14.	43571	1	Tube, Hydraulic (Outside auxiliary tube)
15.	29437	2	Connector, Bulkhead
16.	6608	1	Quick Coupler, Female
17.	7124	1	Dust Plug for Female Quick Coupler
18.	1803	1	Quick Coupler, Male
19.	7667	1	Dust Plug for Male Quick Coupler
20.	1870	2	Lock Washer
21.	19226	1	Connector

CONTROL VALVE

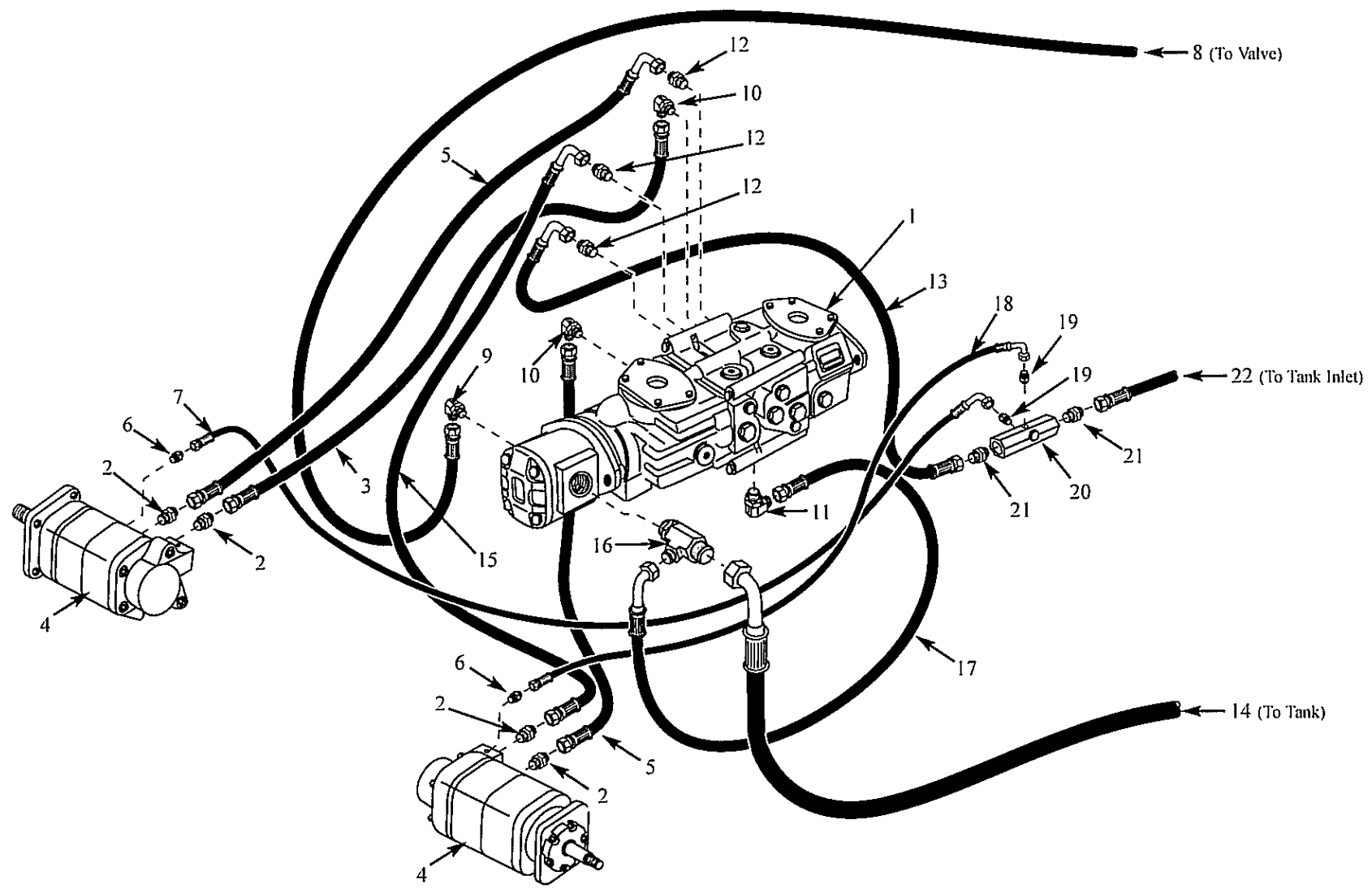


ITEM	PART	QTY	DESCRIPTION
*	049324	1	Valve, Assy. Standard Auxiliary w/ Control Boxes
1.	44935	3	Kit, Control Lever Box
2.	44473	3	Screw, Set
3.	44299	3	Bar, Control Lever Linkage
4.	43722	3	Valve, Check
5.	43721	1	Valve, Main Relief
6.	43724	2	Coil, Solenoid Lock Assy.
7.	47435	4	Valve, Port Relief
*	43812	1	Kit, Seal Rubber, Control Valve

5. HYDROSTATIC DRIVE SYSTEM

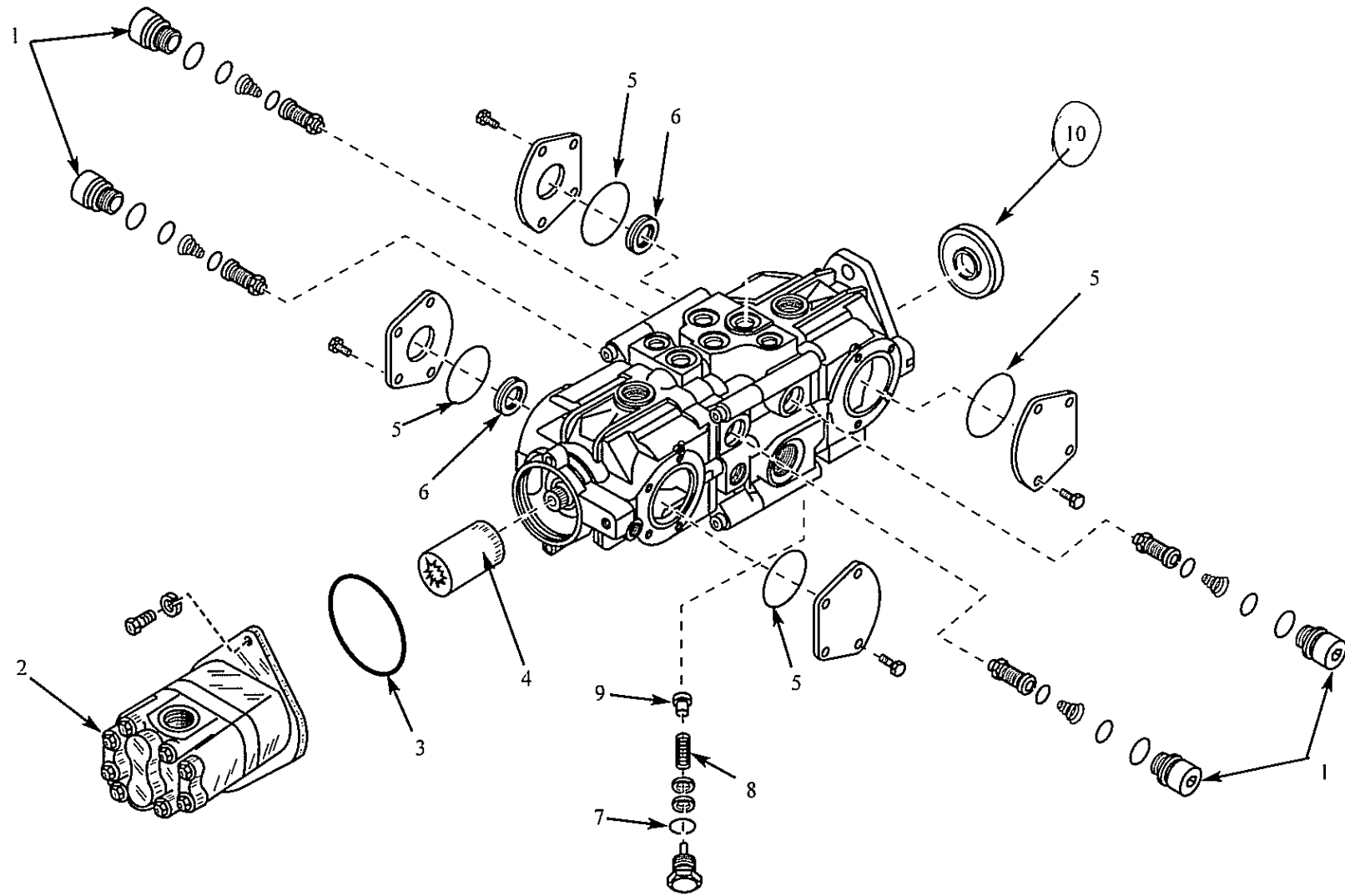
Hydrostatic Drive Circuit.....	5.1
Hydrostatic Tandem Pump.....	5.2
Torque Motor	5.3

HYDROSTATIC DRIVE CIRCUIT



ITEM	PART	QTY	DESCRIPTION
1.	46869	1	Pump, Tandem Assy. 345 Bar (See Section 5.2)
2.	8104	4	Connector, Male
3.	961765	1	Hose, Hydraulic 3/4" x 26" (Bottom rear pump to RH motor top)
4.	42453	2	Motor, Hydraulic Assy. (See Section 5.3)
5.	961763	2	Hose, Hydraulic 3/4" x 38" (Bottom front pump to LH motor top / Top rear pump to RH motor bottom)
6.	962520	2	Restrictor, Connector
7.	957259	1	Hose (RH motor case drain to manifold side inlet rear)
8.	961747	1	Hose, Hydraulic 5/8" x 57.5" (Gear pump to valve)
9.	25011	1	Elbow, 90 Degree
10.	14866	2	Elbow, 90 Degree
11.	38386	1	Elbow, 90 Degree
12.	14867	3	Connector, Male
13.	961755	1	Hose, Hydraulic 3/4" x 24" (Pump case drain to manifold end inlet)
14.	963502	1	Hose, Hydraulic 1-1/4" x 53" (Tank to gear pump)
15.	961762	1	Hose, Hydraulic 3/4" x 42" (Top front pump to LH motor bottom)
16.	46390	1	Tee
17.	963501	1	Hose, Hydraulic 3/4" x 24" (Gear pump to charge suction inlet)
18.	963564	1	Hose, Hydraulic 1/4" x 27" (LH motor case drain to manifold top inlet)
19.	19242	2	Connector, Male
20.	953603	1	Manifold Assy.
21.	28994	2	Connector, Male
22.	961756	1	Hose, Hydraulic 3/4" x 42" (Manifold rear outlet to tank inlet)

HYDROSTATIC TANDEM PUMP

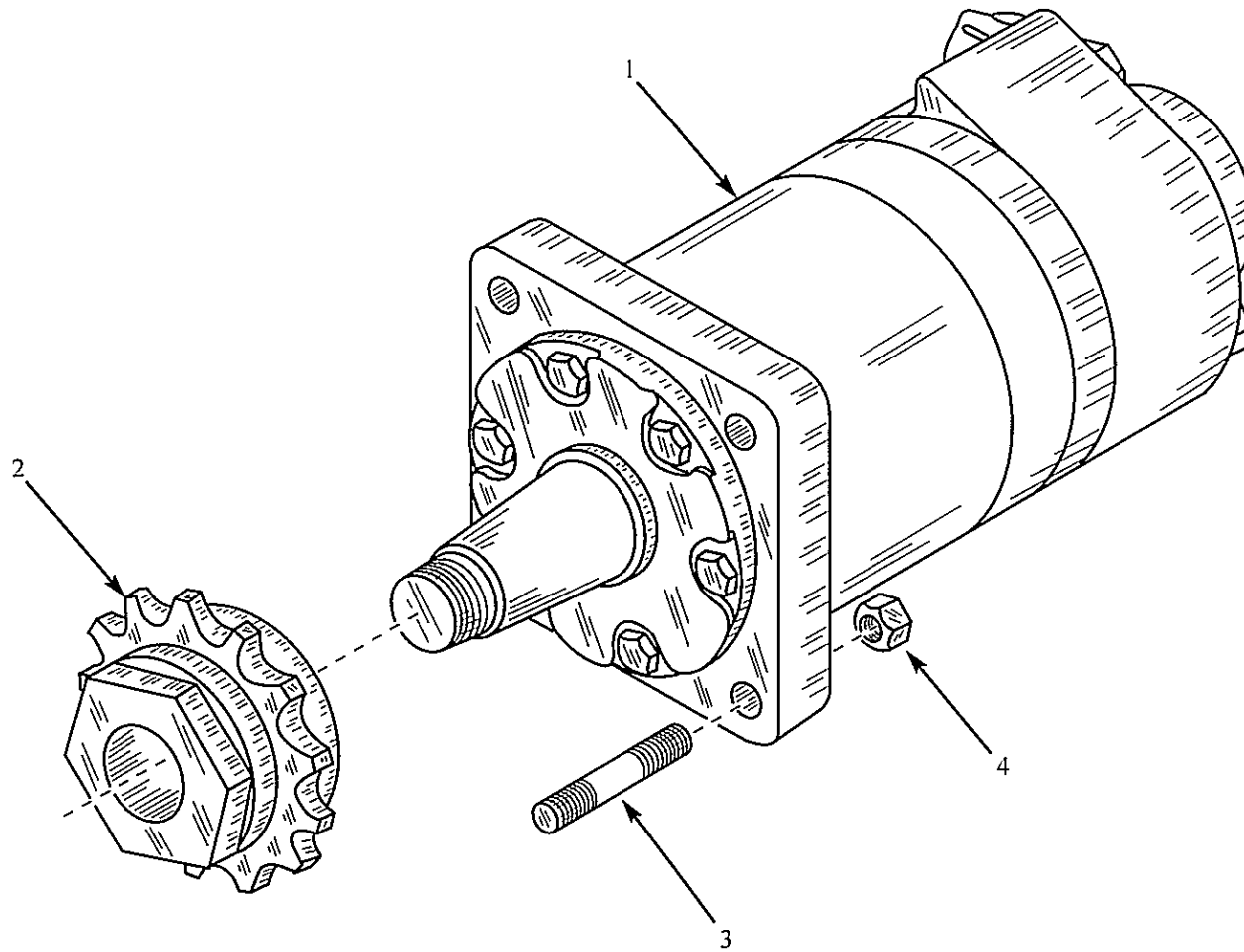


ITEM	PART	QTY	DESCRIPTION
*	049728	1	Pump, Tandem Assy. 345 Bar, c/w 23cc gear pump
1.	44136	4	Valve, Relief Assy.
2.	049988	1	Pump, Gear ,28CC
3.	43493	1	O-ring, Gear Pump
4.	43170	1	Coupler, Gear to Tandem
5.	43167	4	O-ring, Swashplate Cover
6.	43168	2	Seal, Swashplate Housing
7.	43166	1	O-ring, Charge Relief Cap
8.	43164	1	Spring, Poppet, Charge Relief
9.	43165	1	Valve, Poppet, Charge Relief
10.	43169	1	Seal, Input Drive

* 047945 Overhaul Seal Kit, Tandem

* 043658 O-Ring Between Tandem And Gear

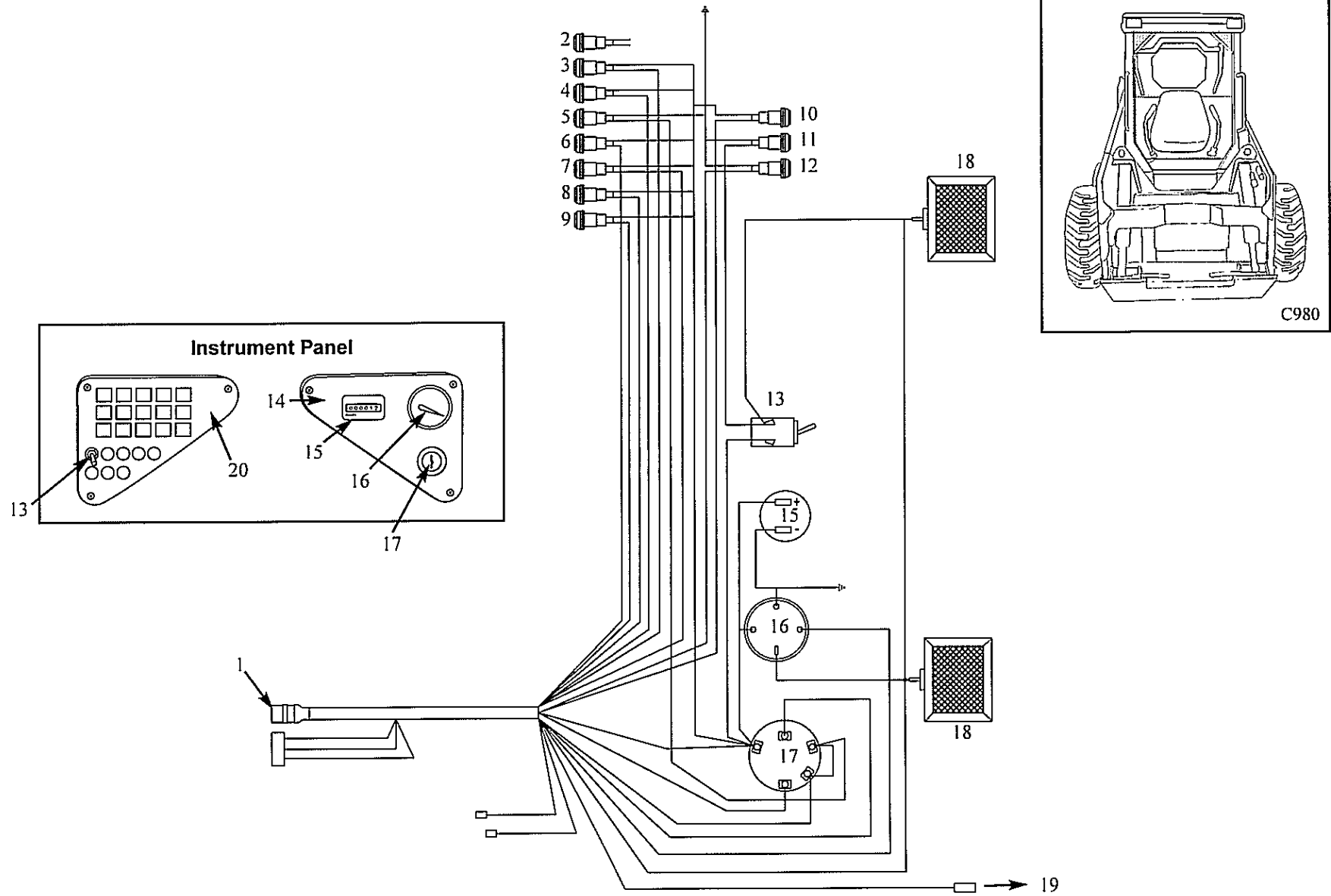
TORQUE MOTOR



ITEM	PART	QTY (per motor)	DESCRIPTION
1.	42453	1	Motor, Hydraulic Assy. (2 required)
2.	25842	1	Sprocket, Drive w/ Disc Mt.
3.	29093	4	Stud, Machine
4.	8613	4	Nut, Nylok
*	22117	1	Seal Kit

6. ELECTRICAL SYSTEM

Electrical Wiring, ROPS	6.1
Electrical Wiring, Engine	6.2



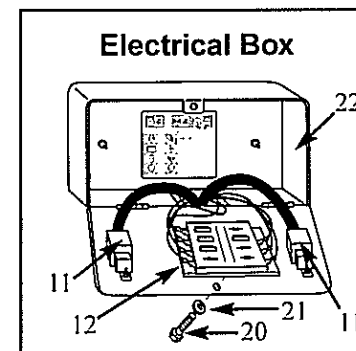
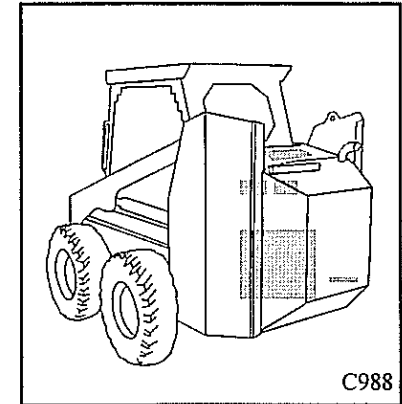
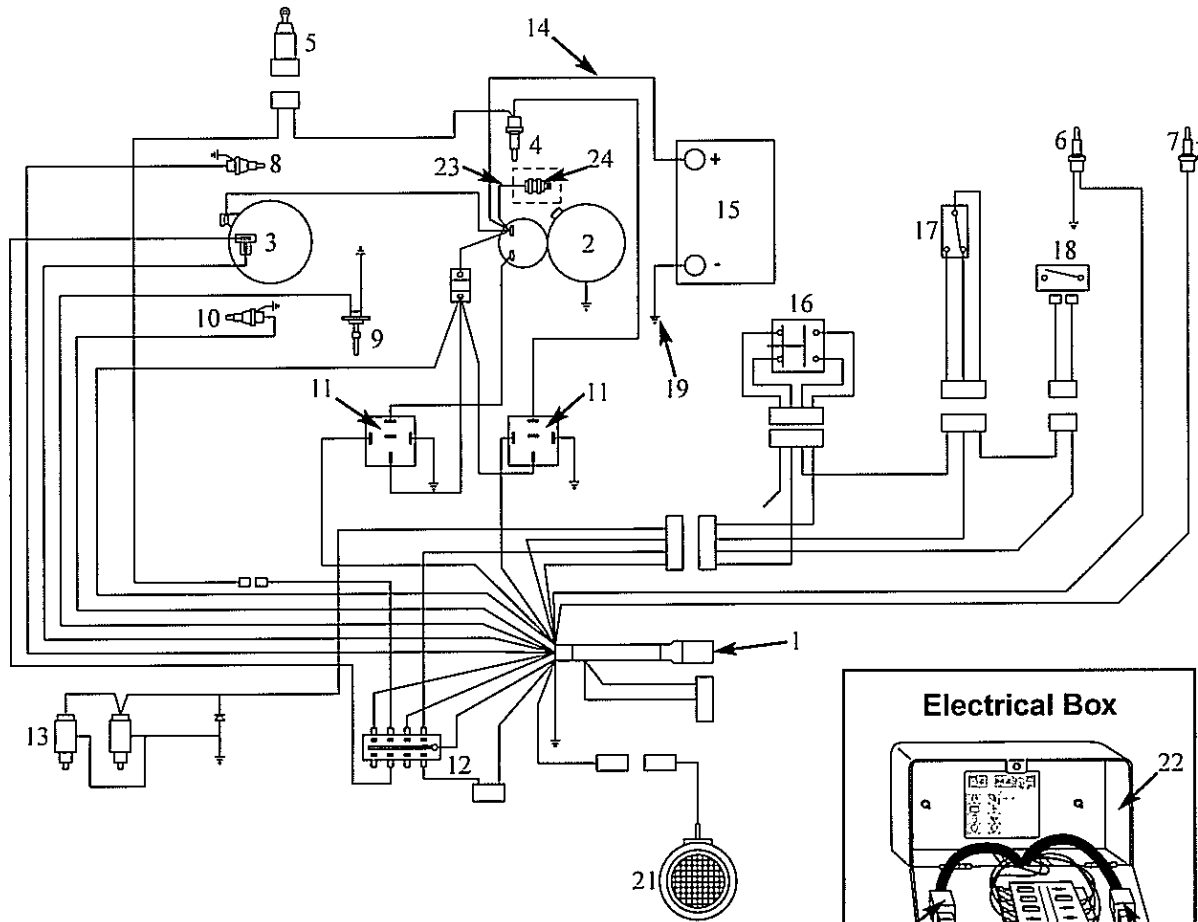
ITEM	PART	QTY	DESCRIPTION
1.	42065	1	Harness, ROPS Assy.
2.	39972	1	Indicator Light, Low Charge Pressure
3.	39972	1	Indicator Light, Brake
4.	39972	1	Indicator Light, Battery
5.	39972	1	Indicator Light, Preheat
6.	39972	1	Indicator Light, Air Filter
7.	39972	1	Indicator Light, Hydraulic Oil Temperature
8.	39972	1	Indicator Light, Coolant Temperature
9.	39972	1	Indicator Light, Engine Oil Pressure
10.	39972	1	Indicator Light, Auxiliary Hydraulics
11.	39972	1	Indicator Light, Lights Dipped Low Beam
12.	39972	1	Indicator Light, Seat Belt
13.	39123	1	Switch, Toggle SPST (Headlights)
14.	38794	1	Panel, RH Instrument Assy.
15.	38761	1	Hour Meter
16.	38577	1	Fuel Gauge
17.	44961	1	Ignition Switch
18.	47468	2	Lamp, Halogen Assy.
*	47469	2	Harness, Wire Halogen Lamp
19.	40918	1	Horn (Optional)
20.	46686	1	Panel, LH Instrument Assy.

Harness Clamps

*	42433	1	Clamp, Cable #8
*	42435	5	Clamp, Cable #12
*	42442	1	Clamp, Cable #18

* Items not shown.

047861	4	Bulb
--------	---	------



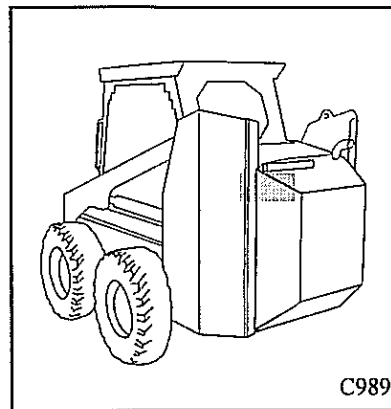
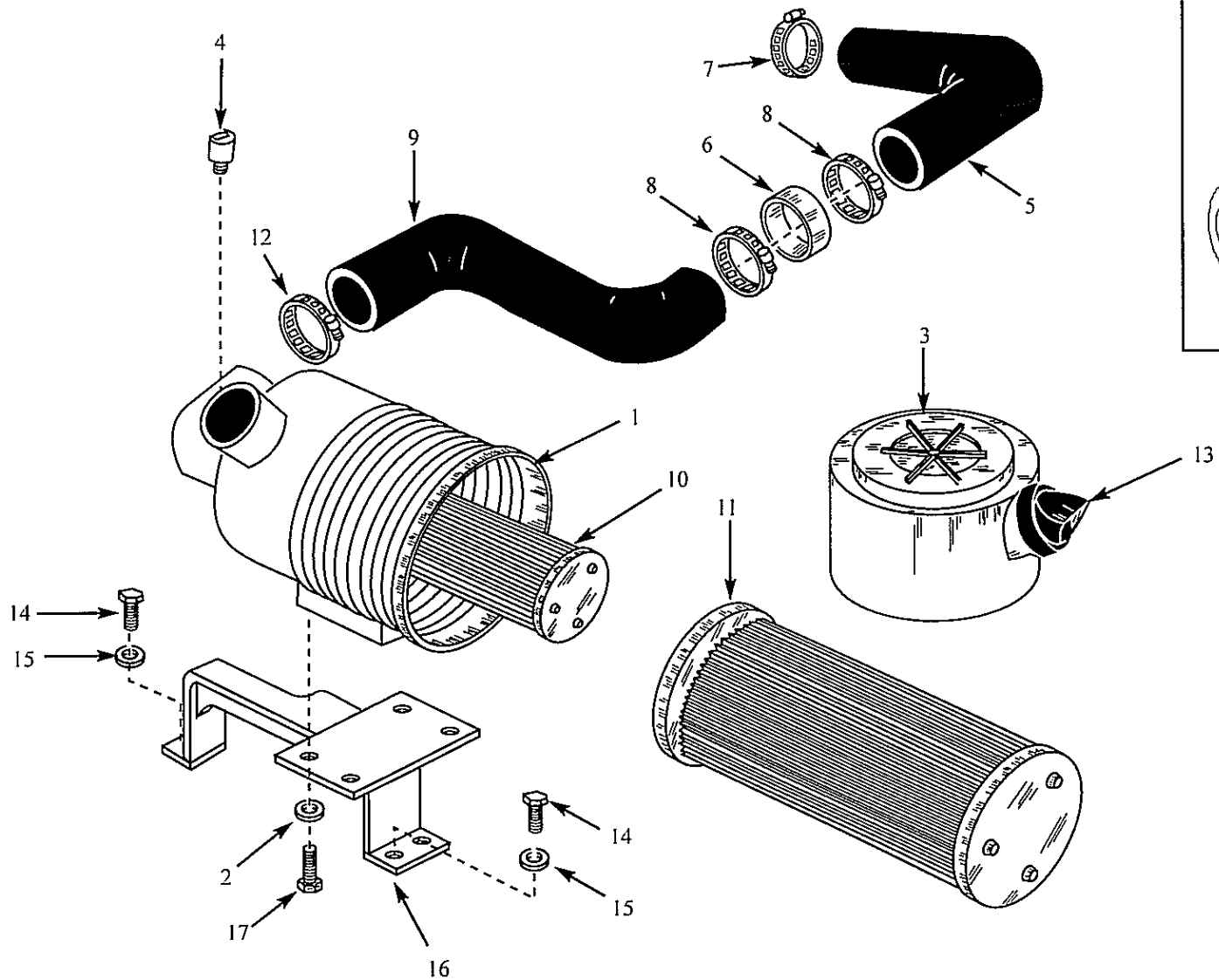
ITEM	PART	QTY	DESCRIPTION
1.	44747	1	Harness, Wire Engine
2.	44895	1	Starter, Engine V3300T
3.	44894	1	Alternator, 60A, Internal Regulator
4.	44896	1	Glow Plug, Steel, V3300T
5.	44903	1	Solenoid, Engine Stop V3300T
6.	42407	1	Indicator, Restrictor Electrical
7.	37206	1	Switch, Temperature Sender, 12 Volt (Hyd. Oil Temp.)
8.	18274	1	Switch, Oil (Engine Oil Pressure)
9.	41627	1	Sender, Fuel Level
10.	37206	1	Switch, Temperature Sender, 12 Volt (Water Temp.)
11.	39840	2	Relay, 12V 40A SPDT Form C c/w Bracket
12.	39540	1	Panel, Fuse
*	39121	A/R	Fuse, Automotive, 15 Amp (5 per pack)
*	39122	A/R	Fuse, Automotive, 10 Amp (5 per pack)
13.	***	1	See Section 4.9
14.	38872	1	Cable, Positive 48"
15.	38870	1	Battery, 12V Ser 3478 w/ Handle CCA 730 Reserve Min.
16.	42805	1	Switch, Momentary DPST (Brake / Restraint Bar)
17.	***	1	See Section 1.8
18.	38516	1	Switch, Seat, Quick Mount Normally Open
19.	38871	2	Cable, Ground 16"
20.	1190	1	Bolt
21.	1651	1	Washer, Flat
22.	961693	1	Box, Electrical Assy.
23.	31190	1	Cable, Positive 25"
24.	37104	1	Lug, External Boosting (Optional)
*	42804	1	Harness, Mainframe
*	42187	1	Alarm, Back-Up (Optional)
*	38752	1	Switch, Back-Up Alarm (Optional)

7. ENGINE EQUIPMENT

Air Cleaner.....	7.1
Exhaust System.....	7.2
Engine Accessories (225).....	7.3 (A)
Engine Accessories (ProTough 2200).....	7.3 (B)
Engine.....	7.4

AIR CLEANER

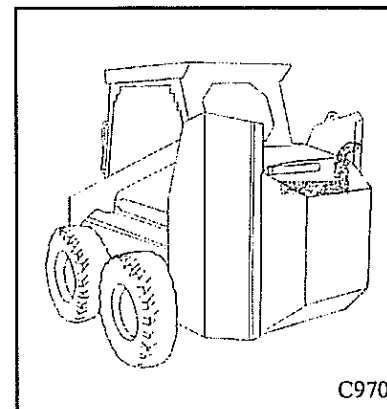
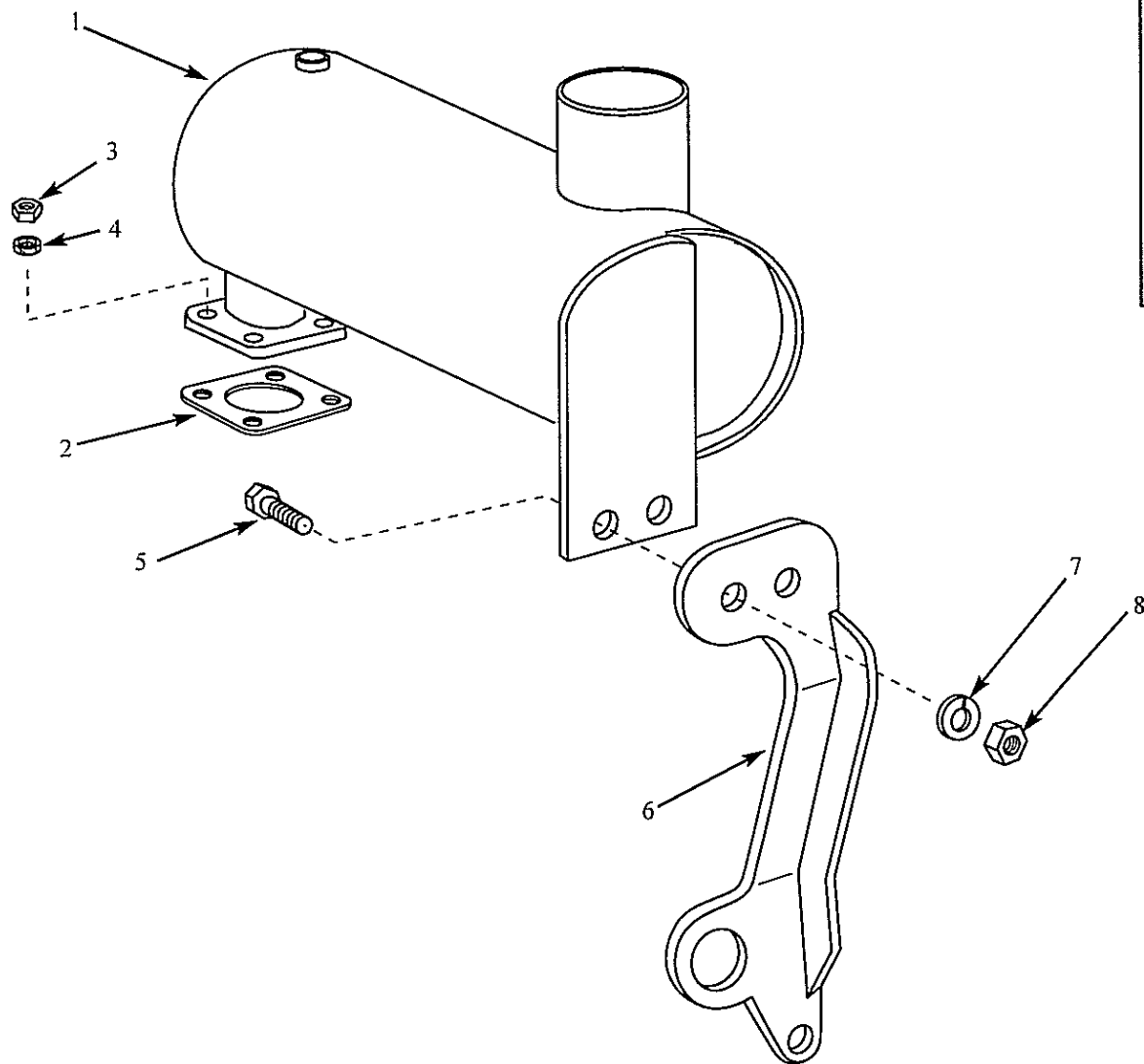
7.1



ITEM	PART	QTY	DESCRIPTION
1.	44828	1	Cleaner, Air Assembly 8"
2.	21029	4	Washer, Lock
3.	44910	1	Cover, Plastic, Air Cleaner
4.	42407	1	Indicator, Restrictor Electrical
5.	44435	1	Hose, Molded Air Intake Part A
6.	44816	1	Tube
7.	6268	1	Clamp, Hose #32
8.	44820	2	Clamp, Hose #44
9.	44436	1	Hose, Molded Air Intake Part B
10.	44908	1	Element, Fiber Inner Air (Safety)
11.	44909	1	Element, Paper, Outer Air (Primary)
12.	44821	1	Clamp, Hose #64
13.	42422	1	Vacuator
14.	24790	3	Bolt, Hex
15.	21028	3	Washer, Lock
16.	962891	1	Air Cleaner Mount
17.	19029	4	Bolt, Hex

EXHAUST SYSTEM

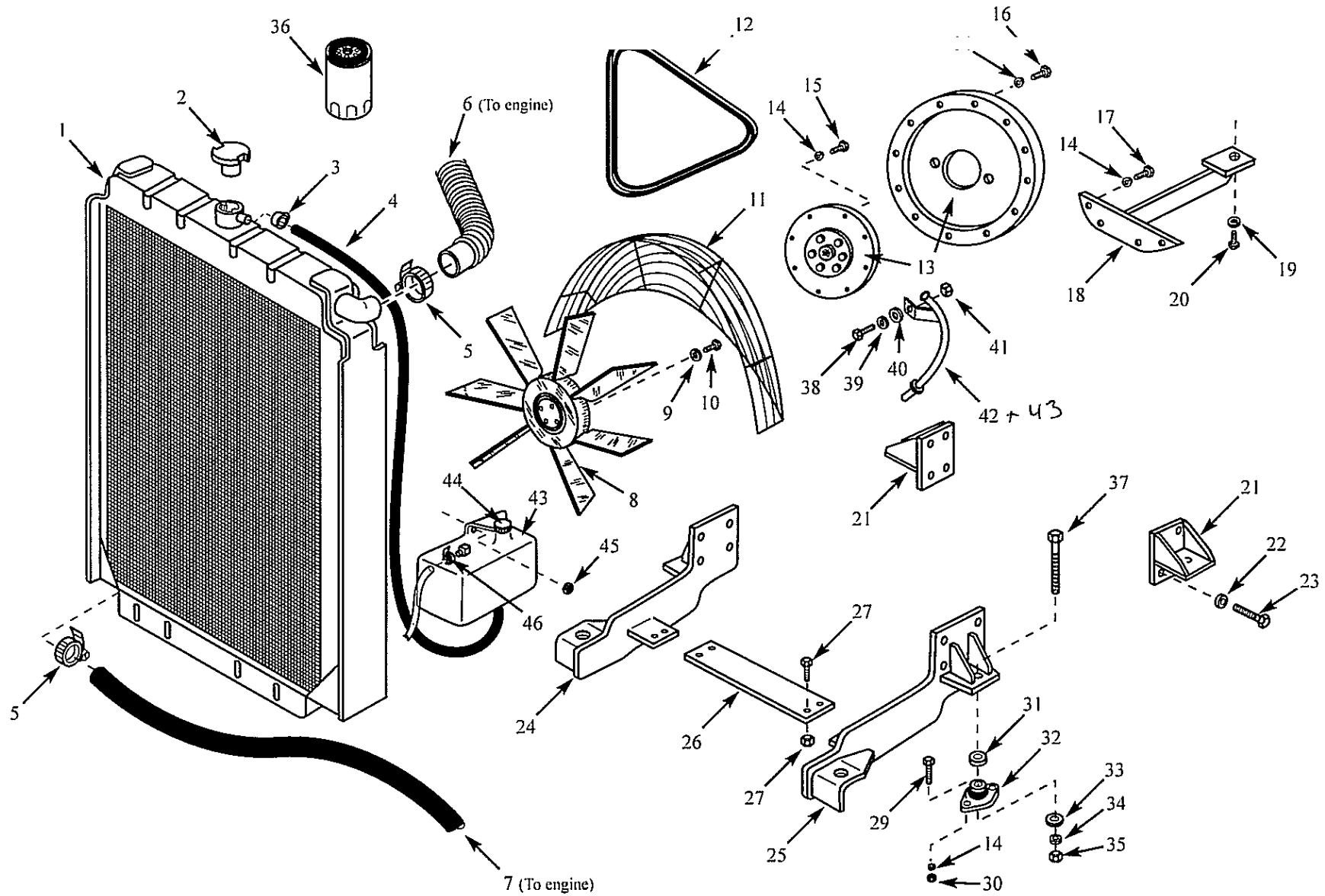
7.2



ITEM	PART	QTY	DESCRIPTION
1.	47825	1	Muffler, Assy.
2.	44898	1	Gasket, Steel, Muffler
3.	38420	4	Nut
4.	21028	4	Lock Washer
5.	1193	2	Bolt, Hex 3/8 x 1
6.	963256	1	Muffler Support Assy.
7.	1642	2	Washer, Lock 3/8
8.	1194	2	Nut, Hex 3/8

ENGINE ACCESSORIES (225)

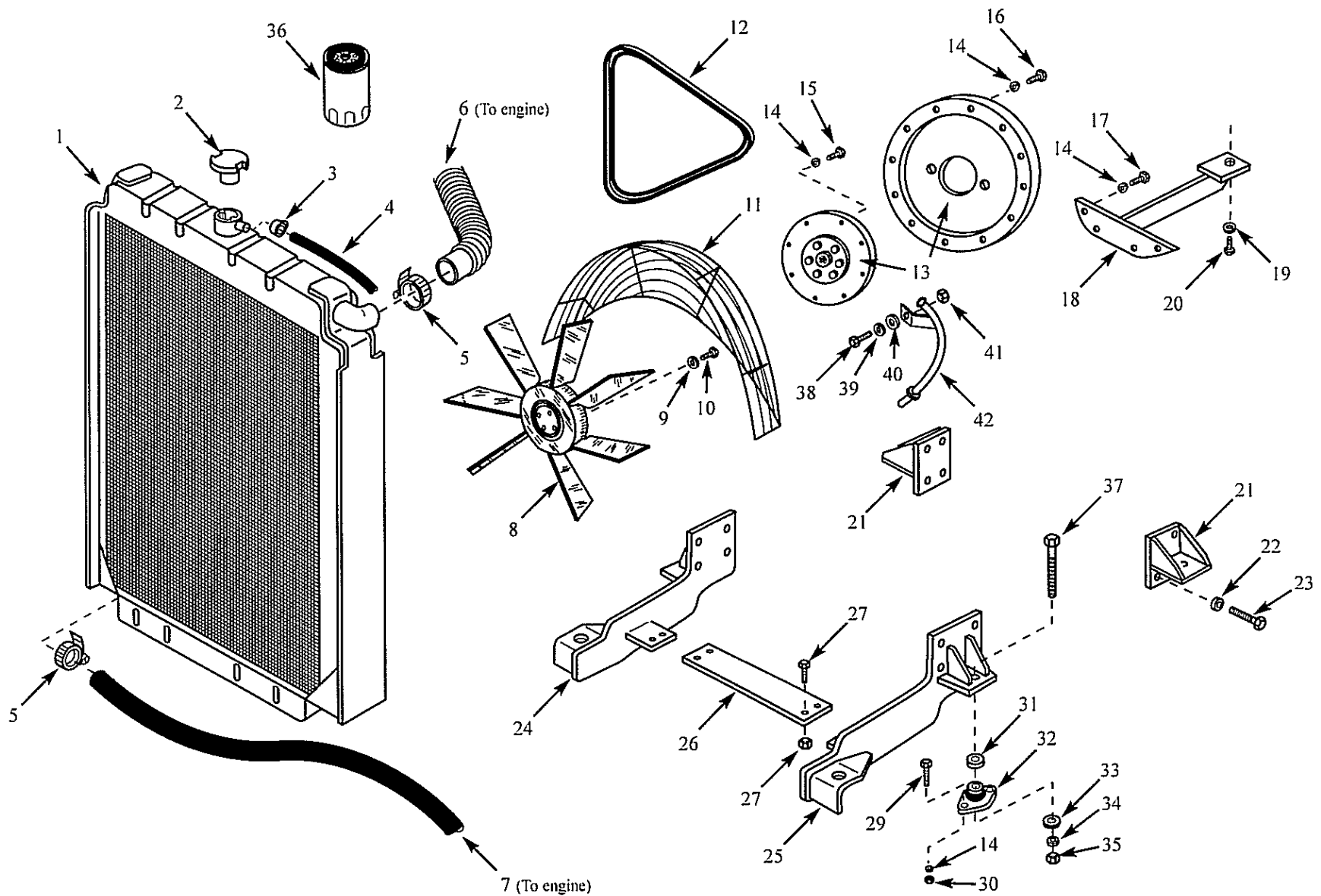
7.3 (A)



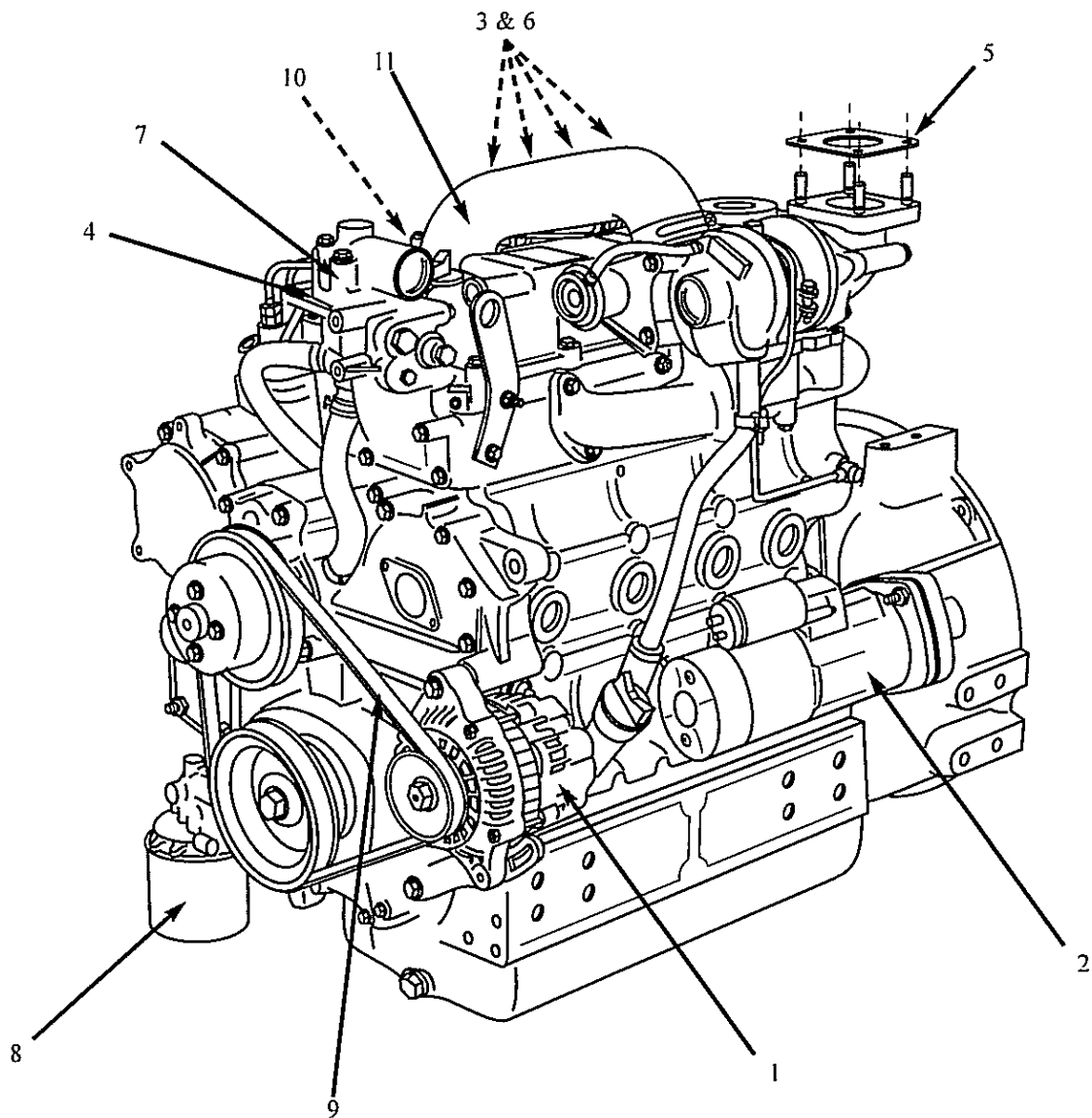
ITEM	PART	QTY	DESCRIPTION	ITEM	PART	QTY	DESCRIPTION
1.	46345	1	Radiator, Assembly	34.	1647	4	Washer, Lock 5/8
2.	44904	1	Radiator Cap	35.	25091	4	Nut, Hex 5/8
3.	19949	2	Clamp, Fuel Line	36.	44901	1	Filter, Engine Oil
4.	407	3 ft.	Hose, Fuel	37.	1529	4	Bolt, Hex 5/8 x 4
5.	6268	4	Clamp, Hose #32	38.	2663	1	Bolt, Hex 1/4 x 3/4
6.	46411	1	Hose, Flex 1 3/4" x 19" (Top radiator hose to engine)	39.	2279	1	Washer, Lock 1/4
7.	46266	1	Hose, Molded (Bottom radiator hose to engine)	40.	1650	1	Washer, Flat 1/4
8.	46635	1	Fan, Pusher	41.	1350	1	Nut, Hex 1/4
9.	21029	4	Washer, Lock	42.	44815	1	Tube, Dipstick
10.	21554	4	Bolt, Hex	43.	42737	1	Reservoir, Coolant
11.	46684	1	Guard, Radiator Fan	44.	44850	1	Cap, Over Flow Jug
12.	44902	1	Belt, Rubber "V"	45.	16771	2	Nut, Nylok, Hex 5/16
13.	44706	1	Kit, Adapter	46.	34919	1	Clamp
14.	1642	28	Washer, Lock 3/8	*	046277		Rubber Bushings
15.	1193	16	Bolt, Hex 3/8 x 1				
16.	1387	8	Bolt, Hex 3/8 x 1 1/4				
17.	8280	4	Bolt, Hex 3/8 x 1 3/4				
18.	962888	1	Pump Support Assembly				
19.	20861	1	Washer, Lock				
20.	1680	1	Bolt, Hex 1/2 x 1 1/4				
21.	962887	2	Front Mount Assembly				
22.	21558	16	Washer, Lock				
23.	21557	16	Bolt, Hex				
24.	963476	1	Mount, LH Rear Assembly				
25.	963475	1	Mount, RH Rear Assembly				
26.	46332	1	Plate, Cross Brace				
27.	1190	4	Bolt, Hex 5/16 x 3/4				
28.	16771	4	Nut, Nylok, Hex 5/16				
29.	1387	8	Bolt, Hex 3/8 x 1 1/4				
30.	1194	8	Nut, Hex 3/8				
31.	44746	4	Washer, Overload				
32.	44744	4	Isolator, Engine				
33.	44745	4	Washer, Rebound				

ENGINE ACCESSORIES (ProTough 2200)

7.3 (B)



ITEM	PART	QTY	DESCRIPTION	ITEM	PART	QTY	DESCRIPTION
1.	46345	1	Radiator, Assembly	34.	1647	4	Washer, Lock 5/8
2.	44904	1	Radiator Cap	35.	25091	4	Nut, Hex 5/8
3.	34919	1	Clamp, Circle Two Ear	36.	44901	1	Filter, Engine Oil
4.	407	4.5 ft.	Hose, Fuel 3 3/16	37.	1529	4	Bolt, Hex 5/8 x 4
5.	6268	4	Clamp, Hose #32	38.	2663	1	Bolt, Hex 1/4 x 3/4
6.	46411	1	Hose, Flex 1 3/4" x 19" (Top radiator hose to engine)	39.	2279	1	Washer, Lock 1/4
7.	46266	1	Hose, Molded (Bottom radiator hose to engine)	40.	1650	1	Washer, Flat 1/4
8.	46635	1	Fan, Pusher	41.	1350	1	Nut, Hex 1/4
9.	21029	4	Washer, Lock	42.	44815	1	Tube, Dipstick
10.	21554	4	Bolt, Hex	*	046277		Rubber Bushing
11.	46684	1	Guard, Radiator Fan				
12.	44902	1	Belt, Rubber "V"				
13.	44706	1	Kit, Adapter				
14.	1642	28	Washer, Lock 3/8				
15.	1193	16	Bolt, Hex 3/8 x 1				
16.	1387	8	Bolt, Hex 3/8 x 1 1/4				
17.	8280	4	Bolt, Hex 3/8 x 1 3/4				
18.	962888	1	Pump Support Assembly				
19.	20861	1	Washer, Lock				
20.	1680	1	Bolt, Hex 1/2 x 1 1/4				
21.	962887	2	Front Mount Assembly				
22.	21558	16	Washer, Lock				
23.	21557	16	Bolt, Hex				
24.	963476	1	Mount, LH Rear Assembly				
25.	963475	1	Mount, RH Rear Assembly				
26.	46332	1	Plate, Cross Brace				
27.	1190	4	Bolt, Hex 5/16 x 3/4				
28.	16771	4	Nut, Nylok, Hex 5/16				
29.	1387	8	Bolt, Hex 3/8 x 1 1/4				
30.	1194	8	Nut, Hex 3/8				
31.	44746	4	Washer, Overload				
32.	44744	4	Isolator, Engine				
33.	44745	4	Washer, Rebound				



ITEM	PART	QTY	DESCRIPTION
	44642	1	Engine Assembly V3300T
1.	44894	1	Alternator, 60A, Internal Regulator
2.	44895	1	Starter, Engine
3.	44896	4	Glow Plug, Steel
4.	44897	1	Gasket, Fiber, Thermostat
5.	44898	1	Gasket, Steel, Muffler
6.	44899	4	Nozzle, Steel (Injector)
	35530	4	Copper Seal Washer (for Injector)
7.	44900	1	Thermostat, Steel
8.	44901	1	Filter, Engine Oil
9.	44902	1	Belt, Rubber "V"
10.	44903	1	Solenoid, Engine Stop
11.	48466	1	Hose, Crossover

* Items 3, 6 and 10 highlight items actually found on the other side of the engine and can not be seen by this view.

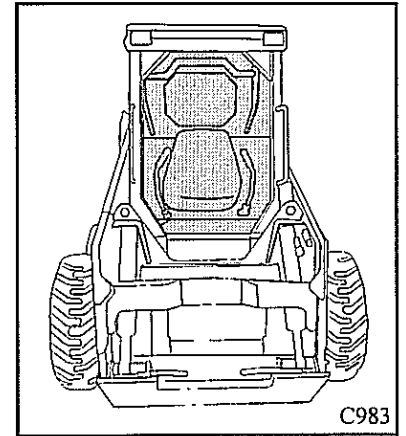
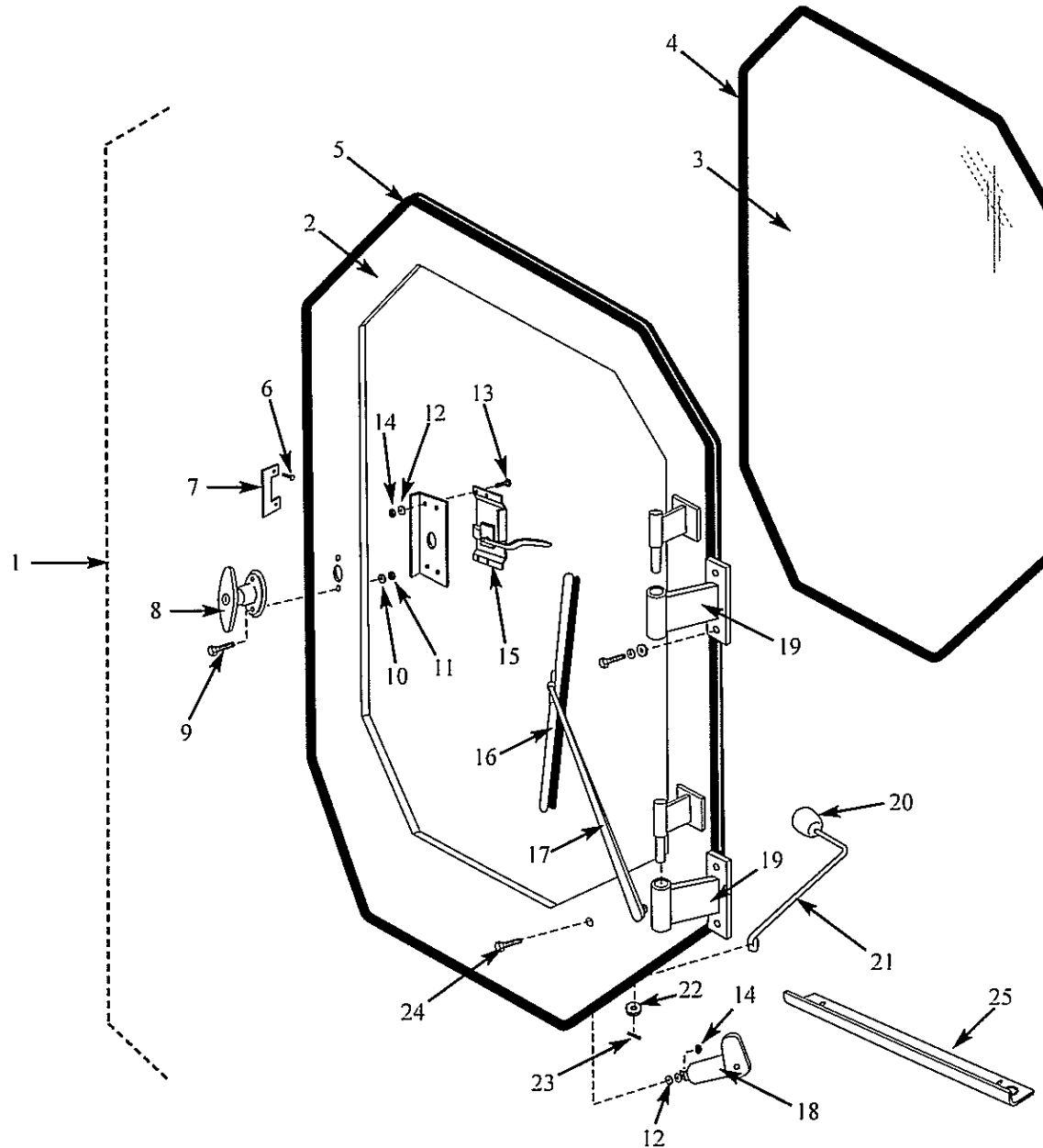
8. OPTIONAL EQUIPMENT

The following kits are OPTIONAL and can be added as extra equipment.

Cab Heater	8.1
Cab Door.....	8.2
Side Windows - Painted.....	8.3
Block Heater	8.4
Horn	8.5
Backup Alarm	8.6
Seat Belt (3")	8.7
Auto Engine Shutdown.....	8.8
Axle Seal Protector	8.9
Self Level Valve.....	8.10
Top Window.....	8.11
Rear Window	8.12
Boosting Lug.....	8.13
Optional Wheel Equipment	8.14
Hydraulic Oil Heater.....	8.15
Interior Light & Exterior Trouble.....	8.16
Quick Connect	8.17

PART	QTY	DESCRIPTION	PART	QTY	DESCRIPTION
U-3054	1	Kit, Cab Heater:	005170	1	Bolt, Hex 1/4 x 1
037167	1	Heater, Cab	001650	5	Washer, Flat 1/4
044118	2	Elbow, 30D 8 O-Ring x 10 5/8 Hoseheater Fitting	006645	1	Nut, Nylok 1/4
031166	1	Valve, Heater	038541	1	Grommet, 5/16"
031167	1	Cable, Heater Valve Control	043033	2	Clamp, Twin 1" Tube
037601	1	Switch, Heater with Resistors	042076	1	Plate, Cover Twin
037606	1	Knob, Heater, Plastic Control			
016019	6	Clamp, Hose #10			
032672	1	Spacer, Water Flange, Kubota			
019586	2	Gasket, Thermostat Cover			
032682	2	Bolt, Hex			
031156	2	Coupling			
032671	1	Elbow, 90 Degree			
040722	1	Tube, Spacer Heater			
000073	9.5 ft.	Hose, 5/8, 2 or 3 Standard Wall			
017493	1	Clamp, Standard Tube (EMT Strap)			
029972	1	Decal, Heater Control			
043066	3	Terminal, Slide .25 F #16-14 Gafully Insulated			
038303	2	Clamp, Tube Twin 5/8"			
038472	1	Plate, Cover Twin			
037633	2	O-Ring			
039122	1	Fuse, Automotive 10 Amp (5 per pack)			
000765	7.5 ft.	Loom, Corrugated .250 ID Black			
003625	6.5 ft.	Wire, #14 Gauge Yellow Type SXL			
001651	2	Washer, Flat			
007458	2	Bolt, Hex 5/16 x 2 3/4			
016771	2	Nut, Nylok, Hex 5/16			
026715	3	Bolt, Hex 6 x 65MM			
040652	3	Tube, Spacer Heater			
002279	3	Washer, Lock 1/4			

CAB DOOR



C983

ITEM	PART	QTY	DESCRIPTION
1.	U-2674	1	Kit, Cab Door
2.	961028	1	Door, Cab Welded Assy.
3.	37243	1	Glass, Solid Tempered, Cab Door
4.	15750	9 ft.	Weatherstrip, Glass Setting
5.	821	11.75 ft.	Molding, Trim Seal 1/8"
6.	31744	4	Screw, Hex Head
7.	32600	1	Plate, Latch Block
8.	953780	1	Handle, Cab Locking
9.	15885	2	Bolt, Stove
10.	2811	2	Washer, Lock
11.	6467	2	Nut, Hex
12.	1650	5	Washer, Flat
13.	5170	4	Bolt, Hex
14.	6645	4	Nut, Nylok
15.	39891	1	Latch, Cab Door RH
16.	37597	1	Blade, Wiper 16"
17.	37596	1	Arm, Wiper
18.	37275	1	Motor, Wiper Single Speed
19.	958336	2	Cab Bushing Assy.
20.	25298	1	Ball, Red
21.	961063	1	Bar, Slider Assy.
22.	1643	1	Washer, Flat
23.	1630	1	Pin, Cotter
24.	2663	1	Bolt, Hex
25.	44366	1	Sheet, Cab Door Stop
*	7045	1	Wire, End Plug Type F
*	21259	2	Pin, Terminal
*	32968	1	Receptacle, Pin Terminal "Loosepack" 14-16 Gauge
*	8615	0.333 ft.	Tube, Heat Shrink .187
*	15149	5 ft.	Wire, #14 Gauge Gray
*	35489	0.1	Sealant, Urethane Primerless

SIDE WINDOWS - PAINTED**8.3**

PART	QTY	DESCRIPTION
U-2689	1	Kit, Side Windows Painted:
044345	26	Screw, Machine 1/4 x 3/4 Pan Head 20TPI Stainless
044237	26	Nut, 1/4 Flange 20 TPI Stainless
014869	1	Screw, Self Drilling
015931	23 ft.	Weatherstrip, 5/16 x 3/4 Shur Stick (50' Roll)
039868	8	Washer, Nylon
039869	2	Knob, Fluted Black w/ 1/4" 20 Insert
047275	1	Window, Glass Sliding LH Side Painted
047276	1	Window, Glass Sliding RH Side Painted
039907	2	Insulator, Nylon 1/4"
040908	2	Bolt, Hex 1/4 x 1 1/4
040909	2	Nut, Hex 1/4

PART	QTY	DESCRIPTION
U-2478 029790	1 1	Kit, Block Heater: Heater, Block, Kubota

PART	QTY	DESCRIPTION
U-2701	1	Kit, Horn:
040918	1	Alarm, Fast Sounding
047382	1	Handle, Control w/ Switch
044513	1	Bolt
006081	2	Bolt, Hex 5/16 x 3/4
001651	2	Washer, Flat 5/16
001870	2	Washer, Lock 5/16
001191	2	Nut, Hex 5/16
039880	0.5 ft.	Wire, #18 Gauge Lt Green
039206	1.5 ft.	Wire, #18 Gauge Wht/Brn Type
039899	2	Terminal, Ring #10 Stud 22-18 Gauge Wire
039901	1	Terminal, Ring 5/16" Stud 22-18
039127	1	Terminal, Pin .156 Male
039110	1	Tower, 2-Way Weatherpack
039109	2	Sleeve, Cable 18-20 AWG Weatherpack
039009	2	Seal, Cable 14-18 AWG Weatherpack
003273	8	Tie, Cable 11 1/2 x 3/16
000765	0.5 ft.	Loom, Corrugated .250 ID Black
039122	1	Fuse, Automotive 10 Amp (5 per pack)

PART	QTY	DESCRIPTION
U-2481	1	Kit, Backup Alarm:
038752	2	Switch, Backup Alarm
042187	1	Alarm, Back-Up
043327	1	Harness, Backup Alarm
001191	6	Nut, Hex 5/16
001651	6	Washer, Flat 5/16
001190	2	Bolt, Hex 5/16 x 1
001870	6	Washer, Lock 5/16
039122	1	Fuse, Automotive 10 Amp (5 per pack)
043330	2	Sheet, Backup Alarm Spacer
004398	2	Bolt Hex 7/16 x 6
006393	4	Nut, Hex 7/16
047414	2	Bolt, Switch Activator
044323	2	Nut, Jam 1/4
043328	2	Sheet, Backup Alarm Mount
043337	2	Sheet, Backup Alarm Mount
001622	4	Bolt, Stove 3/16 x 1
006468	4	Washer, Flat 3/16
002811	4	Washer, Lock 3/16
006467	4	Nut, Hex 3/16
027013	4	Washer, Lock 1/8

SEAT BELT (3")**8.7**

PART	QTY	DESCRIPTION
U-2482	1	Kit, Seat Belt 3":
048276	1	Belt, Safety 3" Retractable w/ Safety Wiring

PART	QTY	DESCRIPTION
U-2486	1	Kit, Auto Engine Shutdown:
039840	1	Relay, 12V 40A SPDT Form C c/w Bracket
043714	1	Switch, Pressure Electrical Cert. of Compliance
029241	1	Siren, Mini
039899	1	Terminal, Ring #10 Stud 22-18 Gauge Wire
044272	1	Harness, Wire Auto Shutdown Engine
044273	1	Harness, Wire Auto Shutdown ROPS
044248	1	Fitting

AXLE SEAL PROTECTOR

8.9

PART	QTY	DESCRIPTION
U-2488	1	Kit, Axle Seal Protector:
044335	4	Bar, Axle Seal Protector
044355	8	Screw, Cap 1/4
002279	8	Washer, Lock 1/4

PART	QTY	DESCRIPTION
U-2491	1	Kit, Self Level Valve:
017438	2	Washer, Flat 5/16
017441	2	Washer, Lock 5/16
019226	1	Connector
019232	1	Elbow, 90 Degree
024615	2	Nut, Hex 5/16
026549	1	Valve, Self Level, Assy.
036273	2	Bar
036626	1	Tee
042907	2	Bolt, Hex 5/16 x 3 1/4
961777	1	Restrictor, Tee
963237	1	Kit, Hose Assy SLV

TOP WINDOW

8.11

PART	QTY	DESCRIPTION
U-2499	1	Kit, Top Window:
037808	1	Window, Top
018455	12	Washer, #14 x 5/8 Galvanized Perma-Seal
043923	1	Silicone, Sealant 2000 Series
031744	12	Screw, Hex Head, Tapping

PART	QTY	DESCRIPTION
U-2500	1	Kit, Rear Window
039025	1	Window with Decal
015750	8 ft.	Weatherstrip, Glass Setting

BOOSTING LUG

8.13

PART	QTY	DESCRIPTION
U-2502	1	Kit, Boosting Lug:
000621	2 ft.	Loom, Corrugated .413 ID Black Slit Polyethelene
003273	2	Tie, Cable 11 1/2 x 3/16
037104	1	Lug, External Boosting
039910	1	Cable, Positive 25"
039921	1	Insulator, Terminal Cover
042349	1	Bar, Starter Stud Position
044315	1	Bolt, Hex
044319	1	Waher, Lock

PART	QTY	DESCRIPTION
U-2560	1	Kit, Tire 33 x 6 x 8 Solid Field
46431	4	Wheel & Tire Assy, 33 x 6 x 8 Solid
U-2563	1	Kit, Tire 12 x 16.5 HD2000 Field
44022	2	Tire & Wheel Assy, 12 x 16.5 LH HD2000, 8 Bolt
44023	2	Tire & Wheel Assy, 12 x 16.5 RH HD2000, 8 Bolt

HYDRAULIC OIL HEATER

8.15

PART	QTY	DESCRIPTION
U-2515	1	Kit, Hydraulic Oil Heater:
030549	1	Heater, Hydraulic Oil

PART	QTY	DESCRIPTION
U-2539	1	Kit, Interior Light & Exterior Trouble:
041347	1	Light, Dome / Emergency
039880	11 ft.	Wire, #18 Gauge Light Green Type SXL
041023	11 ft.	Wire, #18 Gauge Red Type SXL
017940	2	Grommet
000765	11 ft.	Loom, Corrugated .250 ID Black
039122	1	Fuse, Automotive 10 Amp (5 per pack)
041705	1	Connector, Male, 2-Way Metri-Pak
041706	2	Terminal, Female Metri-Pak for 41705
039901	1	Terminal, Ring 5/16" Stud 22-18
041018	1	Terminal, Slide .25 F #18-22 Ga Fully Insulated
037472	3	Screw, Self Tapping, 10-16 x 3/4

QUICK CONNECT

8.17

PART	QTY	DESCRIPTION
U-2708	1	Kit, Quick Connect:
001803	1	Coupling, Quick Disconnect Male 8 1/2
006608	1	Coupling, Quick Disconnect Female 8 1/2
007124	1	Dust Plug for 8 1/2 Female Quick Disconnect
007667	1	Dust Plug for 8 1/2 Male Quick Disconnect

NUMERICAL INDEX

NUMERICAL INDEX

NUMERICAL INDEX

PART NUMBER / SECTION	PART NUMBER / SECTION	PART NUMBER / SECTION	PART NUMBER / SECTION
73.....8.1	1194.....7.3 (B)	1643.....4.2	1870.....1.6
261.....1.1	1205.....3.4	1643.....8.2	1870.....1.7
261.....1.7	1350.....1.6	1647.....1.5	1870.....1.8
407.....1.1	1350.....2.3	1647.....7.3 (A)	1870.....2.1
407.....4.4	1350.....7.3 (A)	1647.....7.3 (B)	1870.....2.2
407.....7.3 (A)	1350.....7.3 (B)	1650.....1.7	1870.....3.4
407.....7.3 (B)	1364.....2.1	1650.....2.1	1870.....4.1
621.....8.13	1386.....3.2	1650.....2.4	1870.....4.4
698.....4.1	1387.....1.1	1650.....3.4	1870.....4.8
765.....8.1	1387.....7.3 (A)	1650.....7.3 (A)	1870.....8.5
765.....8.5	1387.....7.3 (B)	1650.....7.3 (B)	1870.....8.6
765.....8.16	1457.....4.1	1650.....8.1	2008.....2.1
820.....1.7	1458.....1.3	1650.....8.2	2010.....1.3
821.....1.7	1529.....7.3 (A)	1651.....1.2	2010.....1.4
821.....8.2	1529.....7.3 (B)	1651.....1.6	2010.....1.6
1190.....1.6	1546.....3.3	1651.....1.7	2010.....4.5
1190.....1.7	1622.....8.6	1651.....1.8	2010.....4.7
1190.....1.8	1626.....2.2	1651.....4.4	2011.....1.3
1190.....2.1	1630.....2.1	1651.....6.2	2279.....1.7
1190.....4.4	1630.....2.2	1651.....8.1	2279.....2.1
1190.....6.2	1630.....2.4	1651.....8.5	2279.....2.3
1190.....7.3 (A)	1630.....3.4	1651.....8.6	2279.....7.3 (A)
1190.....7.3 (B)	1630.....8.2	1662.....3.4	2279.....7.3 (B)
1190.....8.6	1642.....1.1	1671.....1.4	2279.....8.1
1191.....8.5	1642.....1.7	1672.....2.1	2279.....8.9
1191.....8.6	1642.....2.1	1673.....1.7	2338.....1.7
1193.....1.7	1642.....4.2	1675.....4.6	2580.....2.2
1193.....1.8	1642.....7.2	1677.....2.1	2593.....2.2
1193.....2.1	1642.....7.3 (A)	1678.....1.2	2663.....1.7
1193.....4.2	1642.....7.3 (B)	1680.....1.3	2663.....2.1
1193.....7.2	1643.....1.1	1680.....2.1	2663.....7.3 (A)
1193.....7.3 (A)	1643.....1.2	1680.....7.3 (A)	2663.....7.3 (B)
1193.....7.3 (B)	1643.....1.7	1680.....7.3 (B)	2663.....8.2
1194.....1.1	1643.....1.8	1687.....7.3 (B)	2811.....8.2
1194.....3.4	1643.....2.1	1773.....4.1	2811.....8.6
1194.....7.2	1643.....2.3	1803.....4.8	2823.....1.2
1194.....7.3 (A)	1643.....3.4	1803.....8.17	2835.....1.2

PART NUMBER / SECTION	PART NUMBER / SECTION	PART NUMBER / SECTION	PART NUMBER / SECTION
2898.....1.5	7124.....8.17	15750.....8.2	19232.....4.3
3189.....1.2	7458.....1.3	15750.....8.12	19232.....4.8
3273.....8.5	7458.....1.4	15880.....2.1	19232.....8.10
3273.....8.13	7458.....8.1	15885.....8.2	19242.....5.1
3321.....1.3	7465.....1.2	15931.....1.5	19586.....8.1
3625.....8.1	7465.....1.4	15931.....1.7	19949.....1.1
4398.....8.6	7465.....1.8	15931.....8.3	19949.....7.3 (A)
4842.....3.4	7465.....2.1	16019.....8.1	20232.....4.1
5170.....8.1	7465.....3.4	16608.....1.5	20235.....1.5
5170.....8.2	7465.....4.6	16771.....1.2	20856.....1.7
5405.....2.2	7667.....4.8	16771.....1.3	20860.....1.2
5406.....2.1	7667.....8.17	16771.....1.4	20860.....1.3
5803.....2.1	8104.....5.1	16771.....2.1	20861.....1.3
5832.....1.9	8280.....7.3 (A)	16771.....2.2	20861.....1.7
5832.....3.2	8280.....7.3 (B)	16771.....4.3	20861.....2.1
6081.....3.4	8613.....1.3	16771.....4.4	20861.....7.3 (A)
6081.....4.4	8613.....1.4	16771.....4.6	20861.....7.3 (B)
6081.....8.5	8613.....1.5	16771.....7.3 (A)	21028.....2.3
6086.....1.6	8613.....2.4	16771.....7.3 (B)	21028.....7.1
6086.....1.7	8613.....3.3	16771.....8.1	21028.....7.2
6268.....4.4	8613.....3.4	16989.....1.2	21029.....2.1
6268.....7.1	8613.....4.1	17144.....1.1	21029.....4.4
6268.....7.3 (A)	8613.....5.3	17144.....4.1	21029.....7.1
6268.....7.3 (B)	8615.....8.2	17340.....3.3	21029.....7.3 (A)
6377.....3.1	8704.....3.3	17422.....1.7	21029.....7.3 (B)
6393.....8.6	8705.....3.3	17438.....8.10	21172.....2.1
6394.....2.1	14620.....2.1	17441.....8.10	21259.....8.2
6467.....8.2	14797.....1.1	17493.....8.1	21554.....4.4
6467.....8.6	14866.....5.1	17633.....1.5	21554.....7.3 (A)
6468.....8.6	14867.....5.1	17940.....8.16	21554.....7.3 (B)
6608.....4.8	14869.....8.3	18274.....6.2	21557.....7.3 (A)
6608.....8.17	14877.....3.2	18318.....1.1	21557.....7.3 (B)
6645.....2.4	14898.....4.1	18455.....8.11	21558.....7.3 (A)
6645.....8.1	15149.....8.2	19029.....7.1	21558.....7.3 (B)
6645.....8.2	15433.....4.1	19226.....4.6	21559.....2.1
7045.....8.2	15433.....4.8	19226.....4.8	22071.....3.4
7124.....4.8	15750.....1.5	19226.....8.10	22117.....5.3

NUMERICAL INDEX

PART NUMBER / SECTION	PART NUMBER / SECTION	PART NUMBER / SECTION	PART NUMBER / SECTION
22280.....4.8	25104.....3.3	29790.....8.4	32907.....3.3
22385.....1.7	25298.....8.2	29875.....4.5	32920.....4.1
22448.....3.2	25460.....225 Decal Section	29875.....4.7	32968.....8.2
22653.....1.3	25460.....2200 Decal Section	29896.....4.7	33269.....2.1
22734.....3.3	25589.....2.1	29972.....8.1	33831.....4.3
23012.....2.1	25618.....3.2	29978.....4.7	33831.....4.6
23194.....1.1	25762.....1.7	29979.....4.7	33831.....4.8
23301.....225 Decal Section	25842.....3.4	30044.....2.1	33850.....4.2
23301.....2200 Decal Section	25842.....5.3	30044.....2.2	33850.....4.4
23307.....225 Decal Section	25843.....3.4	30470.....3.4	34903.....4.1
23307.....2200 Decal Section	25845.....3.3	30474.....3.4	34919.....4.1
23308.....225 Decal Section	25845.....4.1	30485.....3.4	34919.....4.4
23308.....2200 Decal Section	26041.....3.3	30487.....3.4	34919.....7.3 (A)
23309.....225 Decal Section	26042.....3.2	30549.....4.1	34919.....7.3 (B)
23309.....2200 Decal Section	26174.....2.2	30549.....8.15	35243.....4.2
23310.....225 Decal Section	26188.....3.2	30800.....3.4	35426.....1.2
23310.....2200 Decal Section	26315.....3.1	31044.....3.3	35449.....2.2
23312.....225 Decal Section	26315.....3.2	31045.....3.3	35489.....8.2
23312.....2200 Decal Section	26509.....3.2	31156.....8.1	35530.....7.4
23321.....225 Decal Section	26510.....3.2	31166.....8.1	35884.....2.1
23321.....2200 Decal Section	26549.....8.10	31167.....8.1	35884.....2.2
23324.....225 Decal Section	26715.....8.1	31190.....6.2	35935.....225 Decal Section
23324.....2200 Decal Section	26737.....1.1	31488.....1.2	35935.....2200 Decal Section
23326.....225 Decal Section	27013.....8.6	31489.....1.2	36273.....8.10
23326.....2200 Decal Section	28979.....3.4	31744.....1.5	36336.....4.3
23385.....1.3	28994.....5.1	31744.....1.7	36422.....4.1
23452.....1.5	29029.....3.2	31744.....8.2	36598.....225 Decal Section
23772.....2.1	29065.....2.1	31744.....8.11	36598.....2200 Decal Section
23861.....1.1	29066.....2.1	32070.....1.7	36626.....8.10
24264.....1.1	29093.....3.4	32275.....225 Decal Section	36733.....4.1
24615.....8.10	29093.....5.3	32275.....2200 Decal Section	37010.....225 Decal Section
24790.....2.3	29241.....8.8	32478.....4.1	37010.....2200 Decal Section
24790.....7.1	29361.....3.2	32600.....8.2	37059.....225 Decal Section
24914.....3.4	29384.....2.1	32671.....8.1	37059.....2200 Decal Section
25011.....5.1	29437.....4.8	32672.....8.1	37060.....225 Decal Section
25091.....7.3 (A)	29476.....3.4	32682.....8.1	37060.....2200 Decal Section
25091.....7.3 (B)	29477.....3.4	32906.....3.3	37104.....6.2

PART NUMBER / SECTION	PART NUMBER / SECTION	PART NUMBER / SECTION	PART NUMBER / SECTION
37104.....8.13	38561.....1.5	39540.....6.2	41042.....2.1
37167.....8.1	38569.....1.8	39546.....1.6	41042.....2.4
37184.....3.4	38577.....6.1	39556.....1.7	41042.....3.4
37206.....4.1	38587.....4.2	39557.....1.7	41045.....225 Decal Section
37206.....6.2	38588.....4.2	39840.....6.2	41045.....2200 Decal Section
37208.....4.1	38589.....4.7	39840.....8.8	41048.....8.16
37243.....8.2	38600.....1.8	39868.....1.7	41064.....225 Decal Section
37275.....8.2	38752.....6.2	39868.....8.3	41064.....2200 Decal Section
37472.....8.16	38752.....8.6	39869.....8.3	41065.....225 Decal Section
37596.....8.2	38761.....6.1	39880.....8.5	41065.....2200 Decal Section
37597.....8.2	38768.....4.1	39880.....8.16	41066.....225 Decal Section
37601.....8.1	38794.....6.1	39891.....8.2	41066.....2200 Decal Section
37606.....8.1	38797.....1.6	39899.....8.5	41123.....225 Decal Section
37633.....8.1	38834.....2.4	39899.....8.8	41123.....2200 Decal Section
37808.....1.5	38870.....6.2	39901.....8.5	41290.....1.3
37808.....8.11	38871.....6.2	39901.....8.16	41291.....1.3
37854.....2.1	38872.....6.2	39904.....1.8	41318.....1.3
38043.....225 Decal Section	39009.....8.5	39907.....8.3	41347.....8.16
38043.....2200 Decal Section	39025.....1.5	39910.....8.13	41391.....1.3
38044.....225 Decal Section	39025.....8.12	39921.....8.13	41392.....1.3
38044.....2200 Decal Section	39109.....8.5	39972.....6.1	41420.....4.7
38303.....4.1	39110.....8.5	40183.....1.7	41619.....1.7
38303.....4.6	39121.....6.2	40320.....2.4	41619.....1.8
38303.....4.8	39122.....6.2	40337.....1.6	41627.....1.1
38303.....8.1	39122.....8.1	40614.....1.3	41627.....6.2
38386.....5.1	39122.....8.5	40652.....8.1	41705.....8.16
38420.....7.2	39122.....8.6	40722.....8.1	41706.....8.16
38472.....4.1	39122.....8.16	40908.....8.3	41738.....225 Decal Section
38472.....4.6	39123.....6.1	40909.....8.3	41738.....2200 Decal Section
38472.....4.8	39126.....1.5	40918.....6.1	41778.....225 Decal Section
38472.....8.1	39127.....8.5	40918.....8.5	41778.....2200 Decal Section
38516.....1.8	39192.....225 Decal Section	40921.....1.1	41853.....3.4
38516.....6.2	39192.....2200 Decal Section	40922.....1.1	41956.....1.2
38541.....8.1	39196.....225 Decal Section	40970.....225 Decal Section	42047.....2.3
38553.....2.4	39196.....2200 Decal Section	40970.....2200 Decal Section	42061.....4.6
38553.....3.4	39206.....8.5	41023.....8.16	42065.....1.5
38560.....1.5	39537.....1.5	41024.....1.1	42065.....6.1

NUMERICAL INDEX

PART NUMBER / SECTION	PART NUMBER / SECTION	PART NUMBER / SECTION	PART NUMBER / SECTION
42076.....4.3	42907.....8.10	43704.....4.7	44349.....2.1
42076.....4.6	42931.....1.8	43714.....8.8	44355.....8.9
42076.....8.1	43033.....4.3	43721.....4.9	44357.....3.1
42089.....4.8	43033.....8.1	43722.....4.9	44358.....3.1
42091.....4.6	43066.....8.1	43724.....4.9	44366.....8.2
42107.....225 Decal Section	43164.....5.2	43776.....225 Decal Section	44384.....2.1
42107.....2200 Decal Section	43165.....5.2	43776.....2200 Decal Section	44385.....2.1
42187.....6.2	43166.....5.2	43791.....225 Decal Section	44435.....7.1
42187.....8.6	43167.....5.2	43791.....2200 Decal Section	44436.....7.1
42207.....2.1	43168.....5.2	43812.....4.9	44473.....4.9
42208.....2.1	43169.....5.2	43829.....1.4	44513.....8.5
42211.....2.1	43170.....5.2	43830.....1.4	44520.....1.7
42227.....1.7	43327.....8.6	43840.....2.3	44576.....2.1
42321.....4.1	43328.....8.6	43903.....4.3	44615.....225 Decal Section
42322.....4.3	43330.....8.6	43903.....4.6	44615.....2200 Decal Section
42349.....8.13	43337.....8.6	43903.....4.8	44642.....7.4
42350.....1.3	43384.....2.1	43923.....8.11	44674.....4.8
42407.....6.2	43493.....5.2	44022.....8.14	44675.....4.8
42407.....7.1	43536.....4.6	44023.....8.14	44706.....7.3 (A)
42422.....7.1	43536.....4.8	44061.....1.6	44706.....7.3 (B)
42433.....6.1	43558.....1.8	44118.....8.1	44744.....7.3 (A)
42435.....6.1	43558.....3.1	44136.....5.2	44744.....7.3 (B)
42442.....6.1	43558.....3.2	44148.....3.1	44745.....7.3 (A)
42443.....2.1	43558.....4.4	44237.....8.3	44745.....7.3 (B)
42443.....2.4	43558.....4.1	44248.....8.8	44746.....7.3 (A)
42453.....5.1	43570.....4.6	44270.....3.3	44746.....7.3 (B)
42453.....5.3	43571.....4.8	44272.....8.8	44747.....6.2
42491.....1.6	43631.....1.4	44273.....8.8	44762.....2.2
42561.....1.1	43633.....1.4	44299.....4.9	44789.....2.2
42571.....1.1	43634.....1.3	44311.....2.1	44797.....1.7
42572.....1.1	43634.....1.4	44315.....8.13	44815.....7.3 (A)
42573.....1.1	43635.....1.4	44319.....8.13	44815.....7.3 (B)
42574.....1.1	43636.....1.3	44323.....8.6	44816.....7.1
42625.....4.3	43636.....1.4	44335.....8.9	44820.....7.1
42737.....7.3 (A)	43637.....1.4	44345.....8.3	44821.....7.1
42804.....6.2	43702.....4.7	44347.....2.1	44824.....2.1
42805.....6.2	43703.....4.7	44348.....2.1	44828.....7.1

PART NUMBER / SECTION	PART NUMBER / SECTION	PART NUMBER / SECTION	PART NUMBER / SECTION
44850.....7.3 (A)	46266.....4.4	46933.....2.1	957785.....3.2
44877.....1.7	46266.....7.3 (A)	47177.....4.5	958336.....8.2
44894.....6.2	46266.....7.3 (B)	47177.....4.7	958674.....3.2
44894.....7.4	46332.....4.4	47275.....8.3	959073.....2.1
44895.....6.2	46332.....7.3 (A)	47276.....8.3	960475.....3.2
44895.....7.4	46332.....7.3 (B)	47371.....2.2	960497.....2.4
44896.....6.2	46345.....4.4	47382.....8.5	960498.....2.4
44896.....7.4	46345.....7.3 (A)	47414.....8.6	960837.....2.1
44897.....7.4	46345.....7.3 (B)	47422.....1.8	961028.....8.2
44898.....7.2	46346.....4.4	47435.....4.9	961063.....8.2
44898.....7.4	46352.....4.4	47468.....6.1	961499.....4.6
44899.....7.4	46353.....2.1	47469.....6.1	961596.....3.4
44900.....7.4	46366.....2.1	47472.....1.7	961614.....1.2
44901.....7.3 (A)	46375.....2200 Decal Section	47704.....4.4	961693.....6.2
44901.....7.3 (B)	46377.....2200 Decal Section	47760.....2.2	961696.....1.3
44901.....7.4	46390.....5.1	47789.....225 Decal Section	961742.....2.4
44902.....7.3 (A)	46394.....2.1	47789.....2200 Decal Section	961747.....5.1
44902.....7.3 (B)	46411.....4.4	47791.....2.2	961748.....4.2
44902.....7.4	46411.....7.3 (A)	47825.....7.2	961755.....5.1
44903.....6.2	46411.....7.3 (B)	47952.....1.2	961756.....5.1
44903.....7.4	46431.....8.14	48088.....225 Decal Section	961756.....4.1
44904.....4.4	46438.....1.9	48275.....1.8	961760.....4.6
44904.....7.3 (A)	46439.....1.9	48276.....1.8	961760.....4.8
44904.....7.3 (B)	46447.....3.1	48276.....8.7	961761.....4.6
44908.....7.1	46448.....3.1	48341.....2.1	961761.....4.8
44909.....7.1	46455.....3.1	48342.....2.1	961762.....5.1
44910.....7.1	46456.....4.1	48462.....4.4	961763.....5.1
44935.....4.9	46635.....4.4	48466.....7.4	961765.....5.1
44961.....6.1	46635.....7.3 (A)	952766.....3.1	961774.....4.3
44979.....2.2	46635.....7.3 (B)	953603.....5.1	961777.....8.10
46106.....2.2	46684.....4.4	953780.....8.2	961833.....1.3
46159.....2.2	46684.....7.3 (A)	954434.....3.3	961834.....1.3
46216.....4.5	46684.....7.3 (B)	956137.....2.1	961928.....2.1
46219.....4.9	46686.....6.1	956429.....3.3	962503.....3.4
46227.....1.2	46850.....5.2	956659.....3.4	962520.....5.1
46° 2.....225 Decal Section	46869.....5.1	956660.....3.4	962675.....3.1
4° 32.....2200 Decal Section	46869.....5.2	957259.....5.1	962676.....3.1

NUMERICAL INDEX

PART NUMBER / SECTION	PART NUMBER / SECTION
962754.....1.5	963502.....5.1
962874.....2.1	963564.....5.1
962884.....2.1	963832.....2.2
962887.....7.3 (A)	963900.....2.2
962887.....7.3 (B)	963905.....2.2
962888.....7.3 (A)	963926.....1.4
962888.....7.3 (B)	963932.....1.7
962890.....2.1	U-2469.....8.1
962891.....7.1	U-2472.....8.2
962903.....4.3	U-2478.....8.4
962904.....4.3	U-2481.....8.6
963059.....2.2	U-2482.....8.7
963106.....1.7	U-2486.....8.8
963108.....2.3	U-2488.....8.9
963139.....2.1	U-2491.....8.10
963230.....4.3	U-2499.....8.11
963231.....4.3	U-2500.....8.12
963232.....4.6	U-2502.....8.13
963237.....8.10.	U-2515.....8.15
963256.....7.2	U-2539.....8.16
963317.....1.2	U-2560.....8.14
963348.....2.1	U-2563.....8.14
963349.....2.1	U-2689.....8.3
963425.....1.9	U-2701.....8.5
963465.....1.2	U-2708.....8.17
963475.....4.4	
963475.....7.3 (A)	
963475.....7.3 (B)	
963476.....4.4	
963476.....7.3 (A)	
963476.....7.3 (B)	
963498.....4.2	
963498.....4.4	
963499.....4.1	
963499.....4.4	
963501.....5.1	
963502.....4.1	